



UFO

LED HIGH BAY LIGHT



Function& Features



- ① High lumen efficiency LM80 approved Lumileds chip for maximum efficiency and long lifespan.



- ② Optics lens in 60DEG, 90DEG, 120DEG options with over 90% efficiency reduces light loss significantly.



- ③ Patented compact heat sink design, stable product performance.



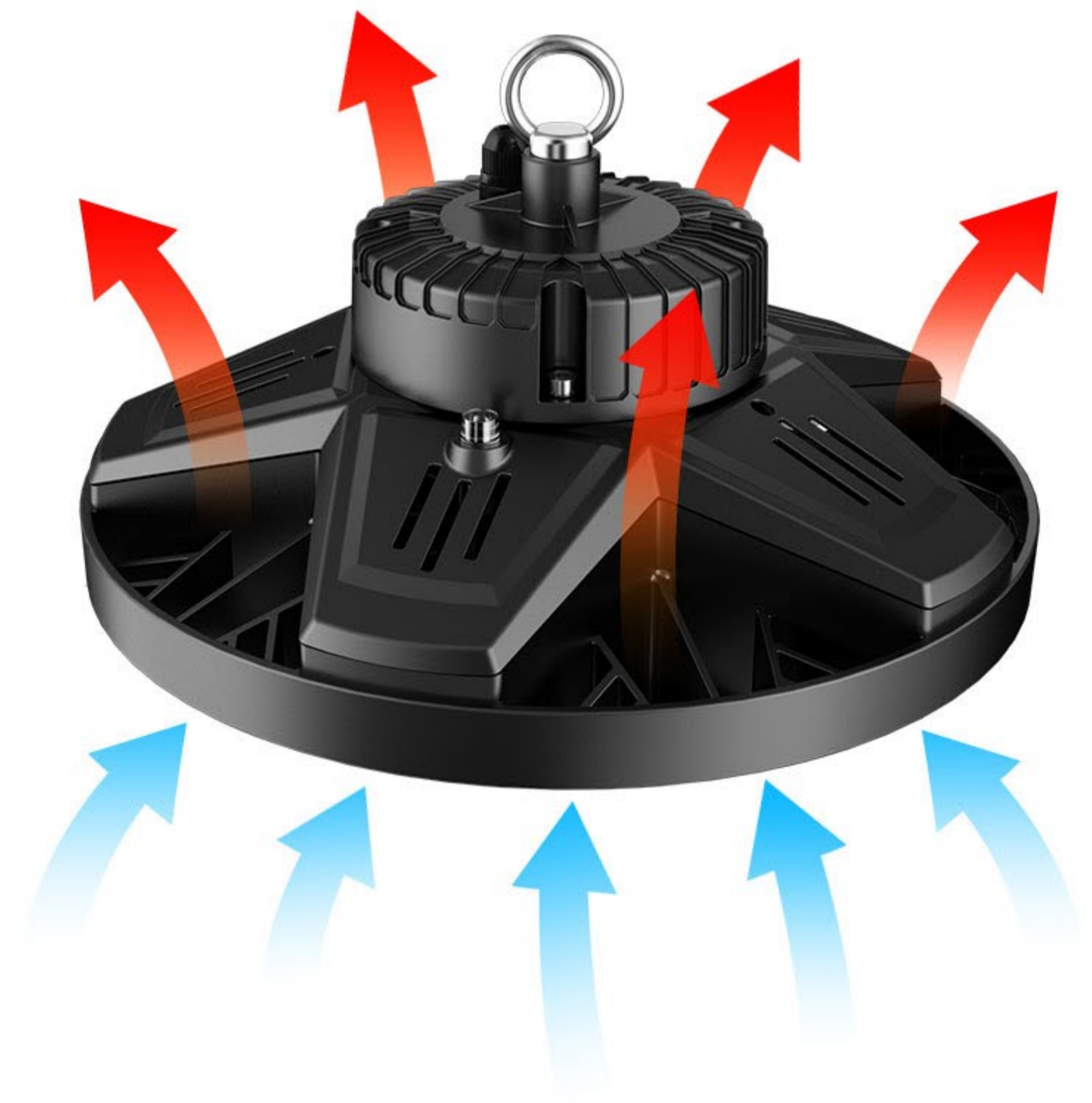
- ⑥ Support silver reflector.



- ④ IP65 waterproof for indoor and outdoor use.



- ⑤ Excellent thermal management system and heat radiation, enable the LEDs consistently work cooler, providing significant boosts to lifetime and efficacy.



Technical Parameters

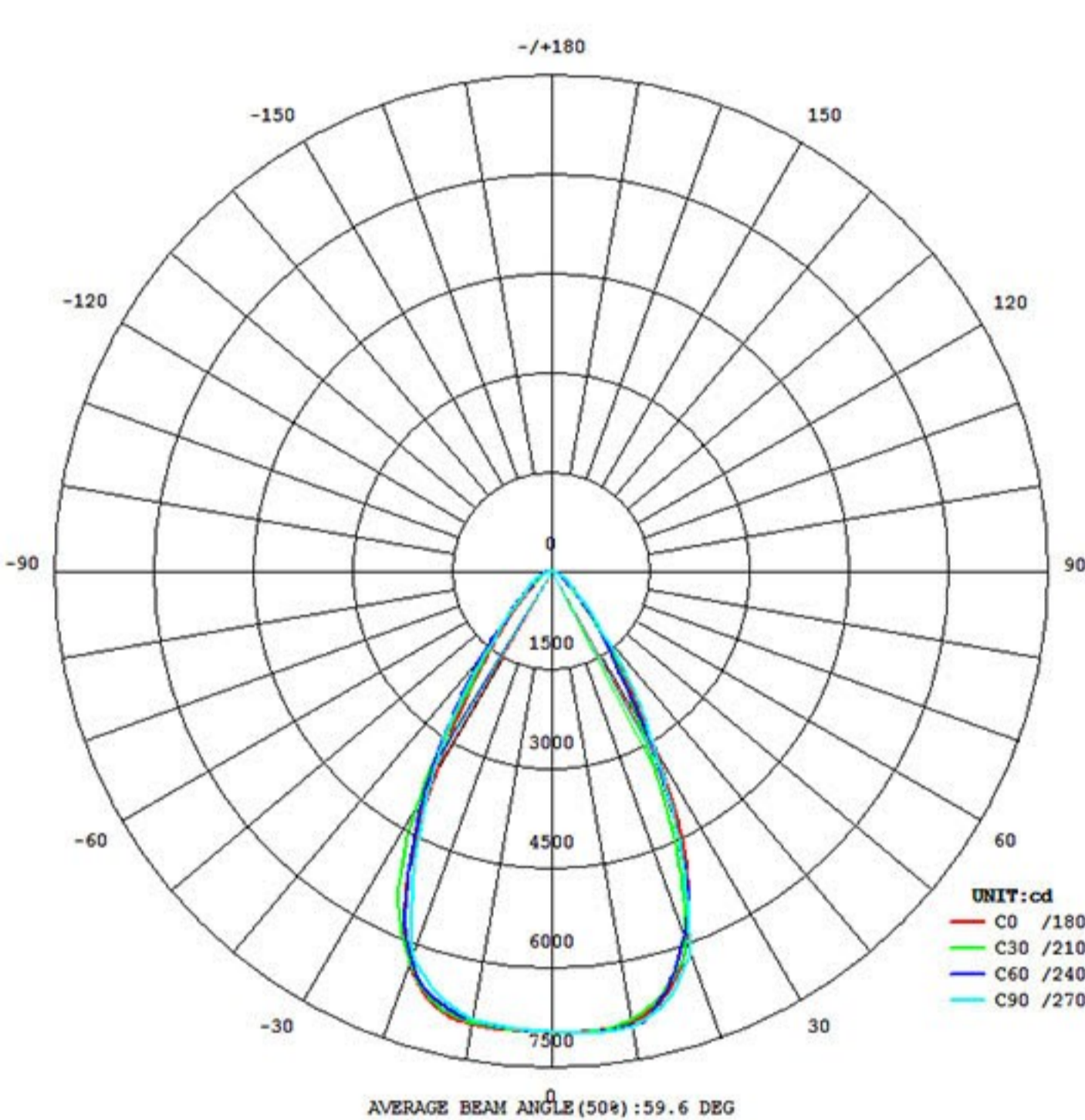
Model No.	BSGK80Z-F12S	BSGK100Z-F12S	BSGK120Z-F12S	BSGK150Z-F12S	BSGK180Z-F12S	BSGK200Z-F12S	BSGK240Z-F12S
Watts	80W	100W	120W	150W	180W	200W	240W
Input Voltage	AC100-305V 50/60HZ						
Power Factor	>0.95						
LED Brand	Lumileds						
Luminaire Efficacy	>130lm/W						
CCT	3000K / 4000K / 5000K / 5700K / 6500K						
CRI	75±5						
Working Environment	-40°C ~ 65°C						
Life Span	>50000hrs						
IP Rating	IP65						
HID Equivalent	150W	150-250W	250-400W	250-400W	400-600W	400-600W	700W

Control Options

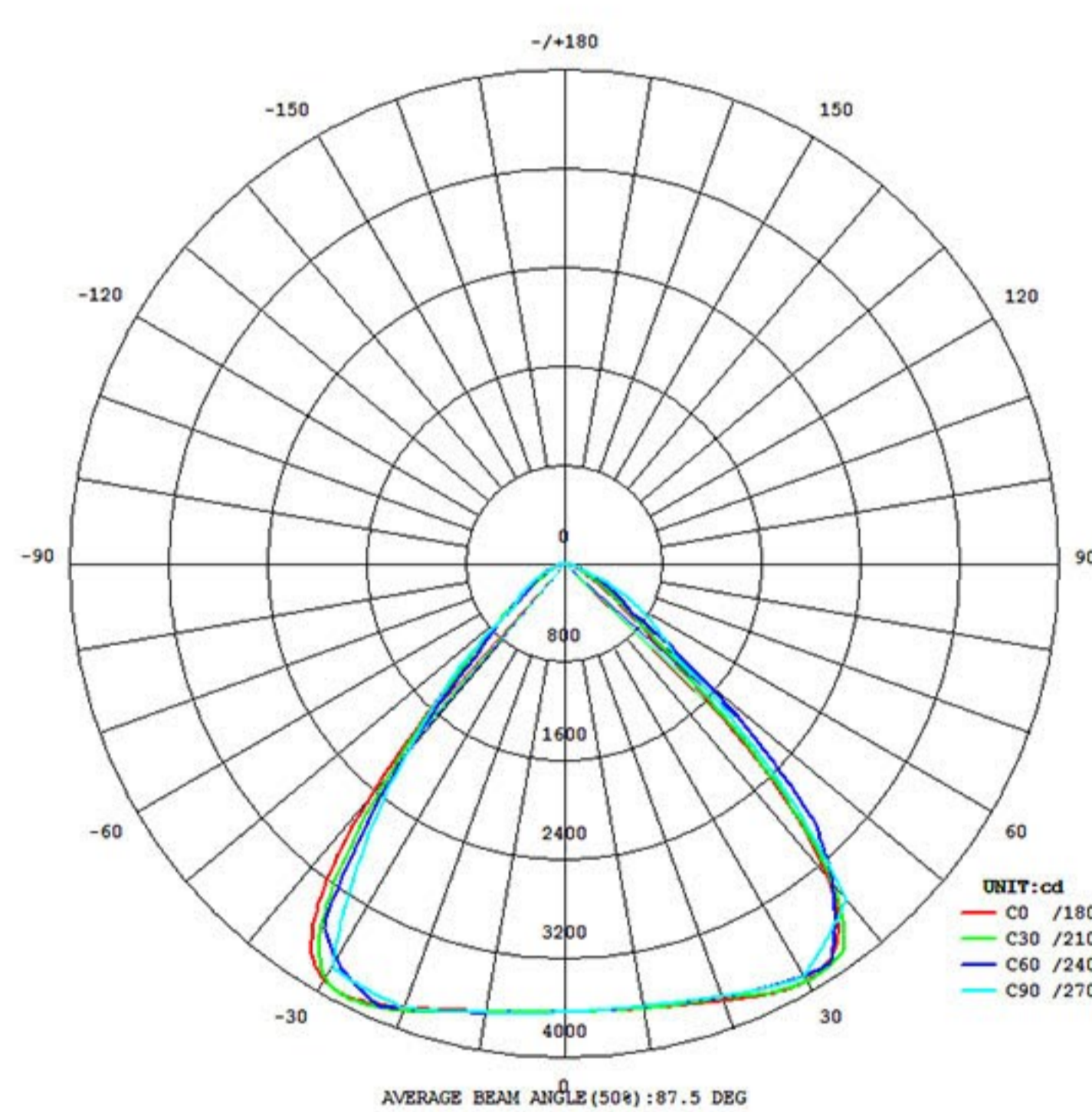
Add to the product part numbers to include these control options

Occupancy Control	DALI Control	1-10V Dimming Control	Zigbee Wireless Control	Daylight Sensor Control
-------------------	--------------	-----------------------	-------------------------	-------------------------

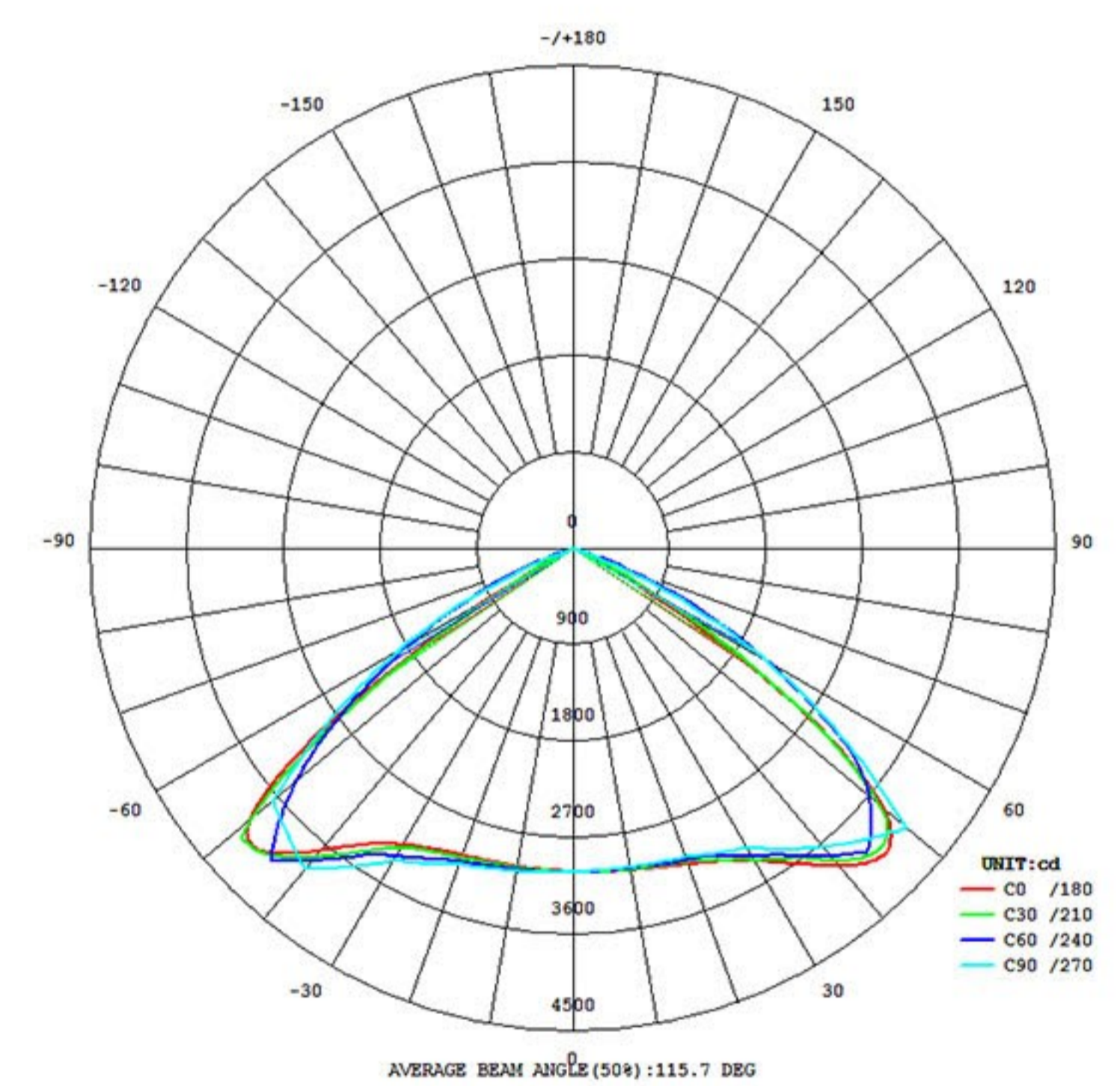
Beam Angle



60°

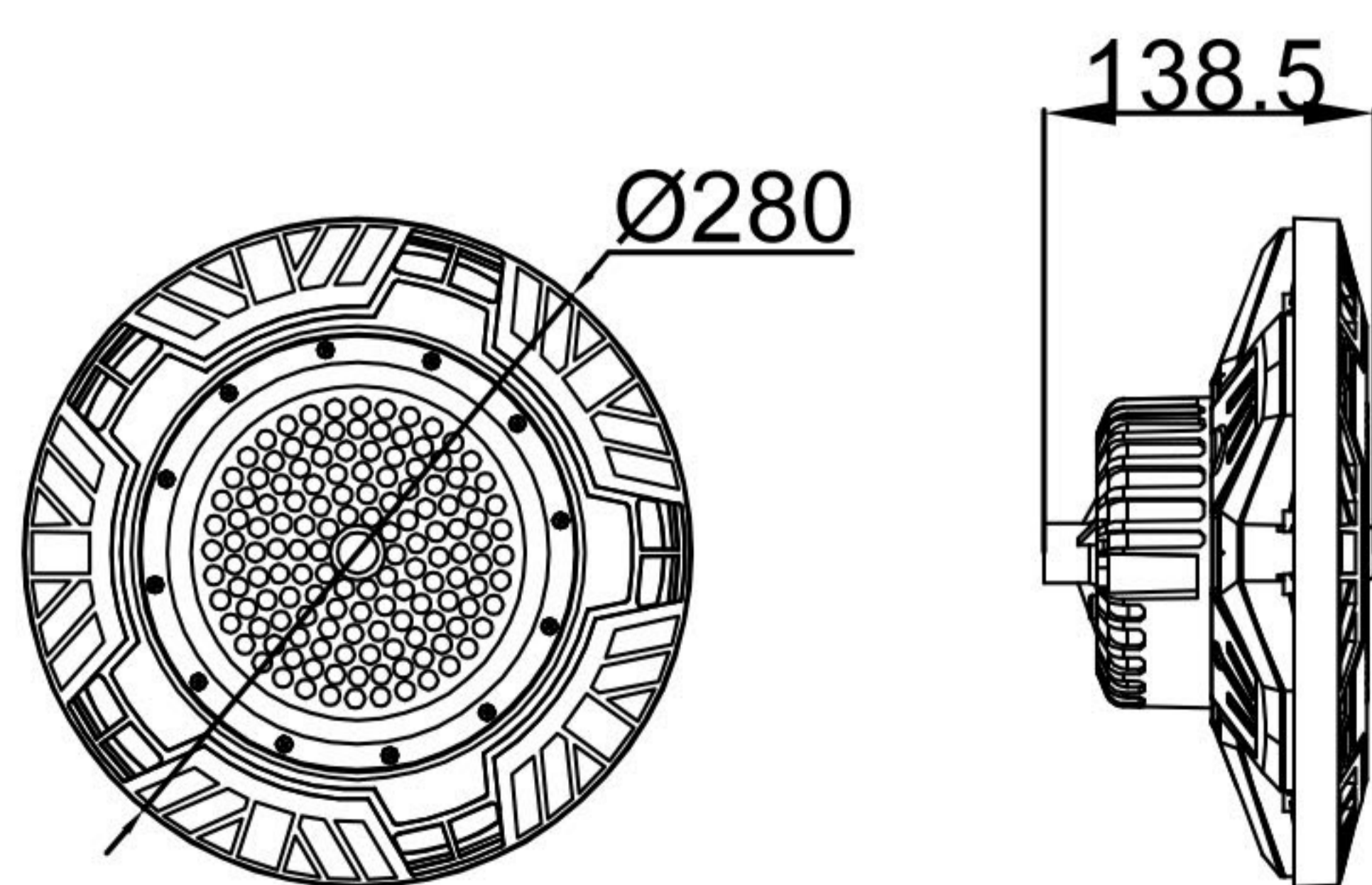


90°

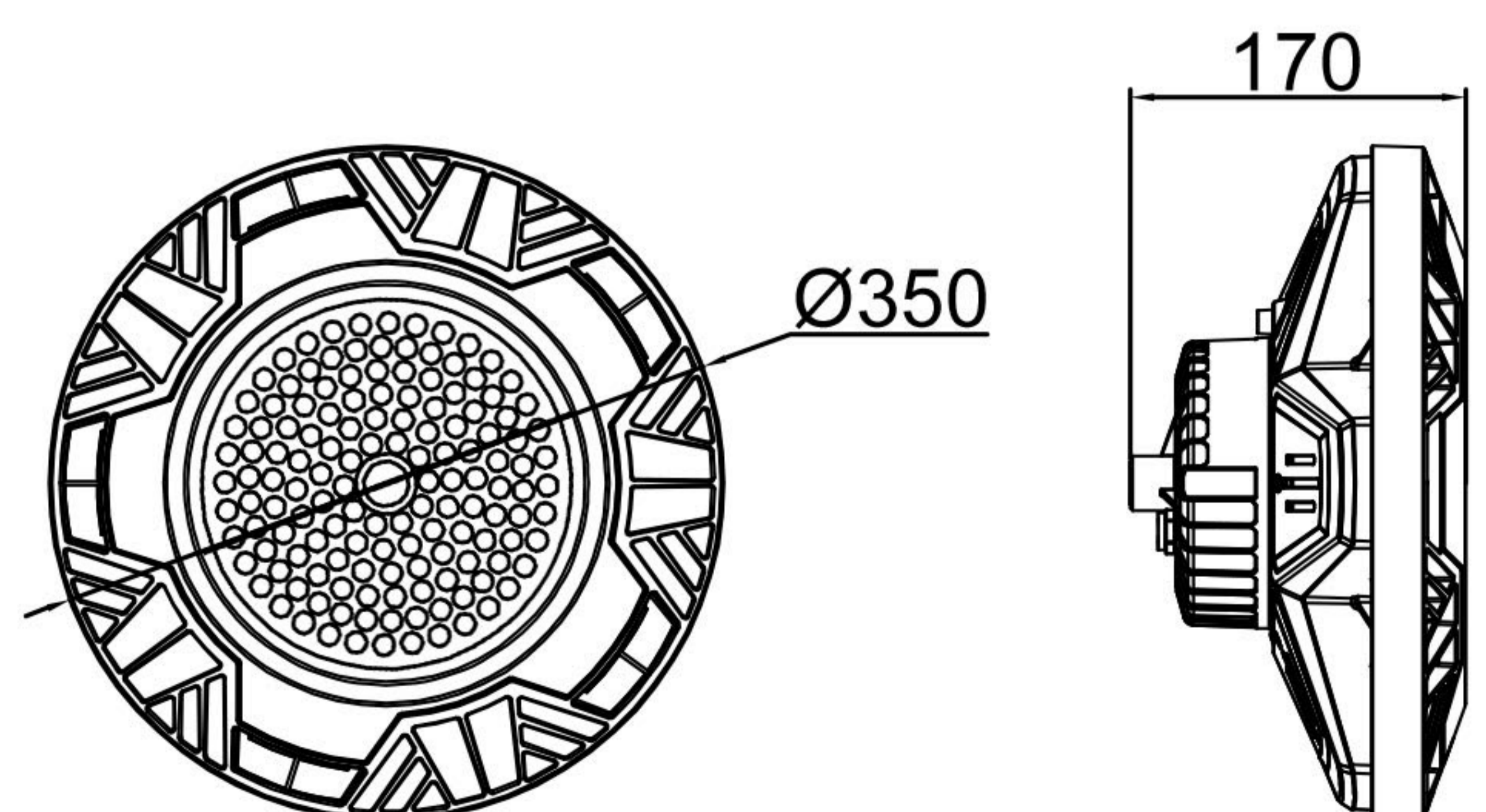


120°

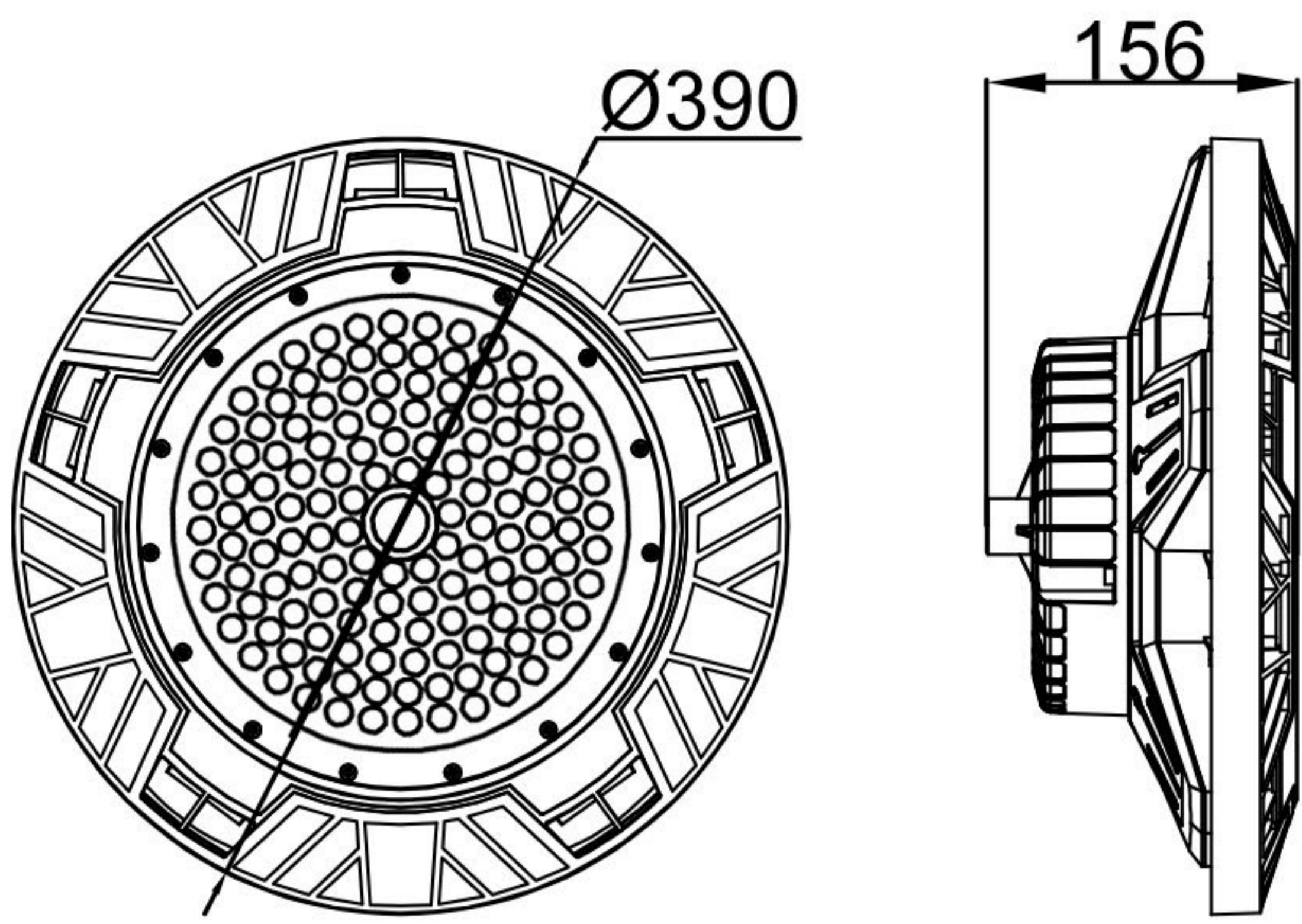
Product Size



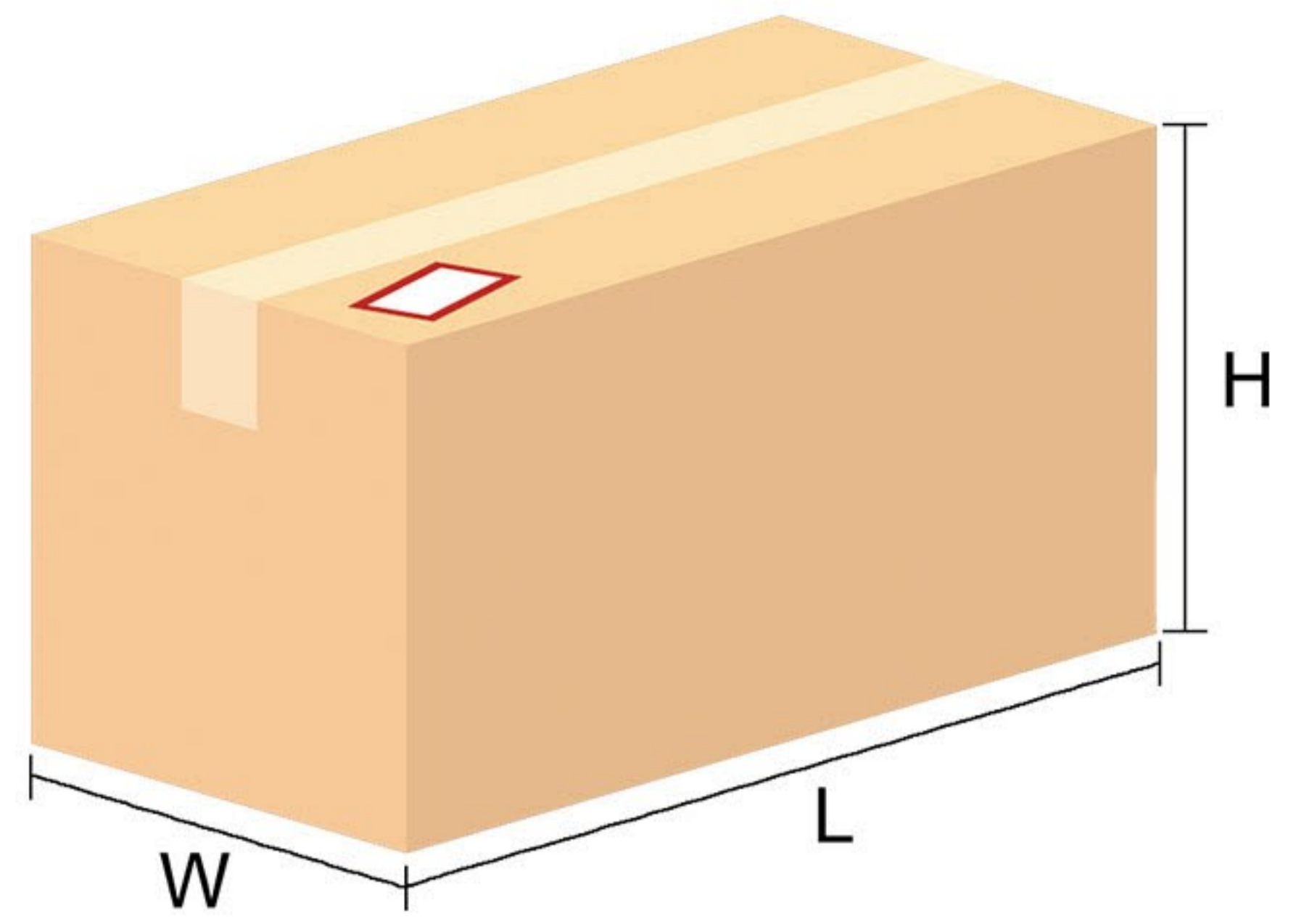
80W / 100W



120W / 150W



180W / 200W / 240W



Packing Data

Model No.	BSGK80Z-F12S	BSGK100Z-F12S	BSGK120Z-F12S	BSGK150Z-F12S	BSGK180Z-F12S	BSGK200Z-F12S	BSGK240Z-F12S
L	300mm	300mm	360mm	360mm	410mm	410mm	410mm
W	300mm	300mm	360mm	360mm	410mm	410mm	410mm
H	200mm	200mm	230mm	230mm	220mm	220mm	220mm
N.W.	3kg	3kg	5kg	5kg	6.5kg	6.5kg	6.5kg
G.W.	4kg	4kg	6kg	6kg	7.5kg	7.5kg	7.5kg

Mounting Options

1 Hook Mounted



2 Pipe Mounted



3 Ceiling Mounted



4 Wall Mounted



Daylight Sensor Control

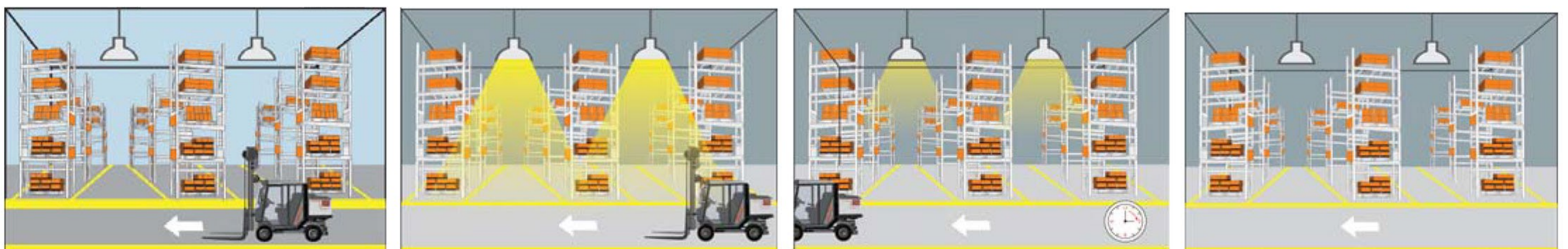
Light intensity adjust according to ambient, to ensure that the overall brightness as well as reduce the lamp power consumption, energy-saving effectively.



The More brightness environment outside, Automatically the lamp turns to lower power with energy-saving efficacy mode.

Radar Sensor Control

When used in combination with 1-10V dimmable LED drivers and ballasts, the sensors can achieve 3-step dimming function, 100% low light off. And the sensors are built in adjustable daylight sensors, very easy to install and cost-effective.



With sufficient ambient light, the sensor does not switch on the lamp.

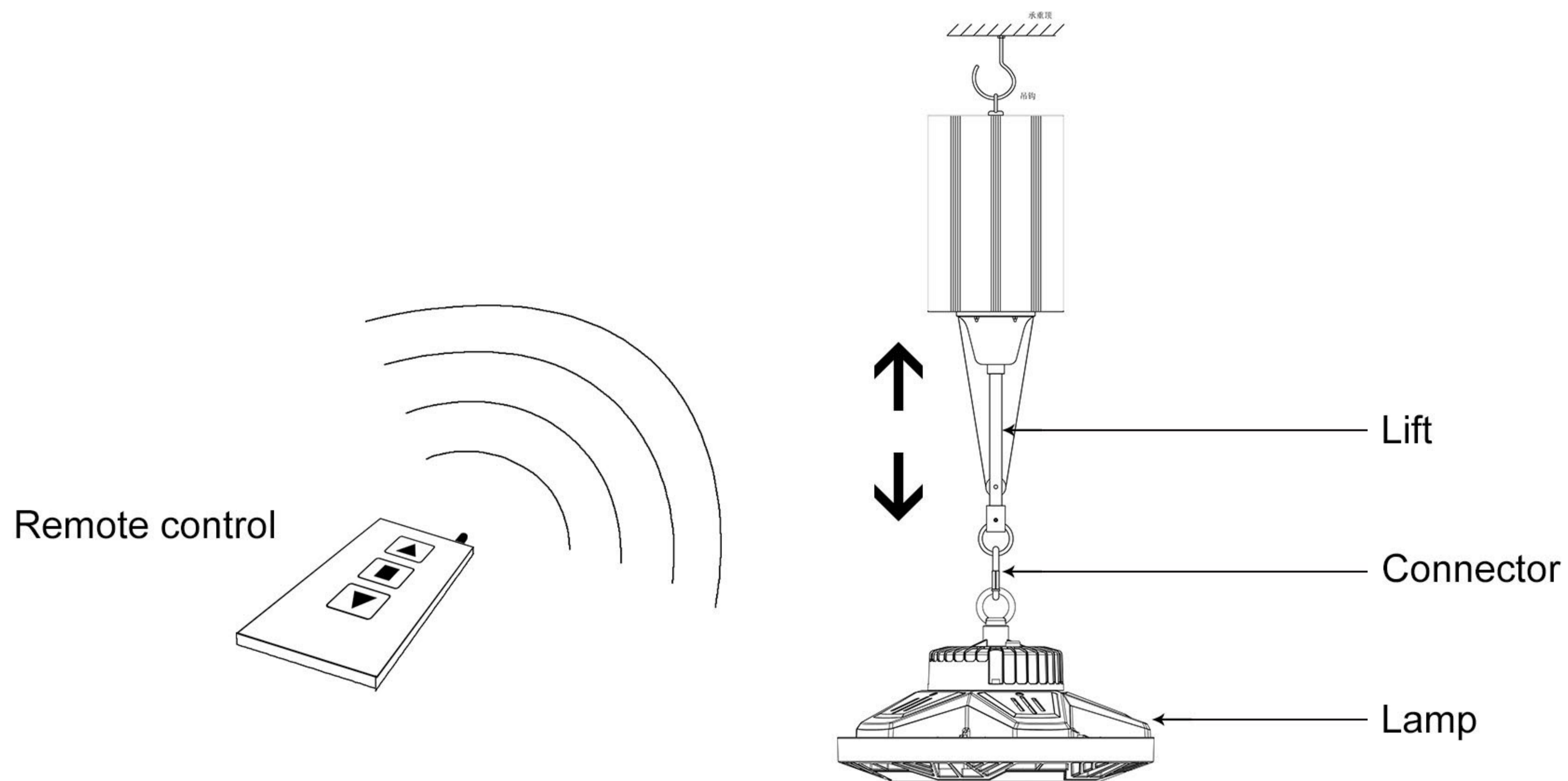
With insufficient ambient light, the sensor switches on the lamp when motion is detected.

After hold time, the sensor dims the lamp at a low light level if no new motion trigger.

After stand-by period, the sensor switches off the lamp if no motion is detected in its detection zone.

Installation—Lifting System

Lighting lifting system for adjusting the height of the lamp with the wireless remote to control the lighting up and down, easy to install lighting, cleaning and maintenance. Make the operation more convenience and security much better. Wireless remote controller with the ability of long-distance operation, anti-interference and others. Up to 13 lifts can be controlled by a handheld controller.



Application Scenes

Used in factory workshop, gas station, indoor stadium, exhibition hall, train station waiting room, library, logistics warehouse, cold storage and other types of occasions.



Factory Workshop



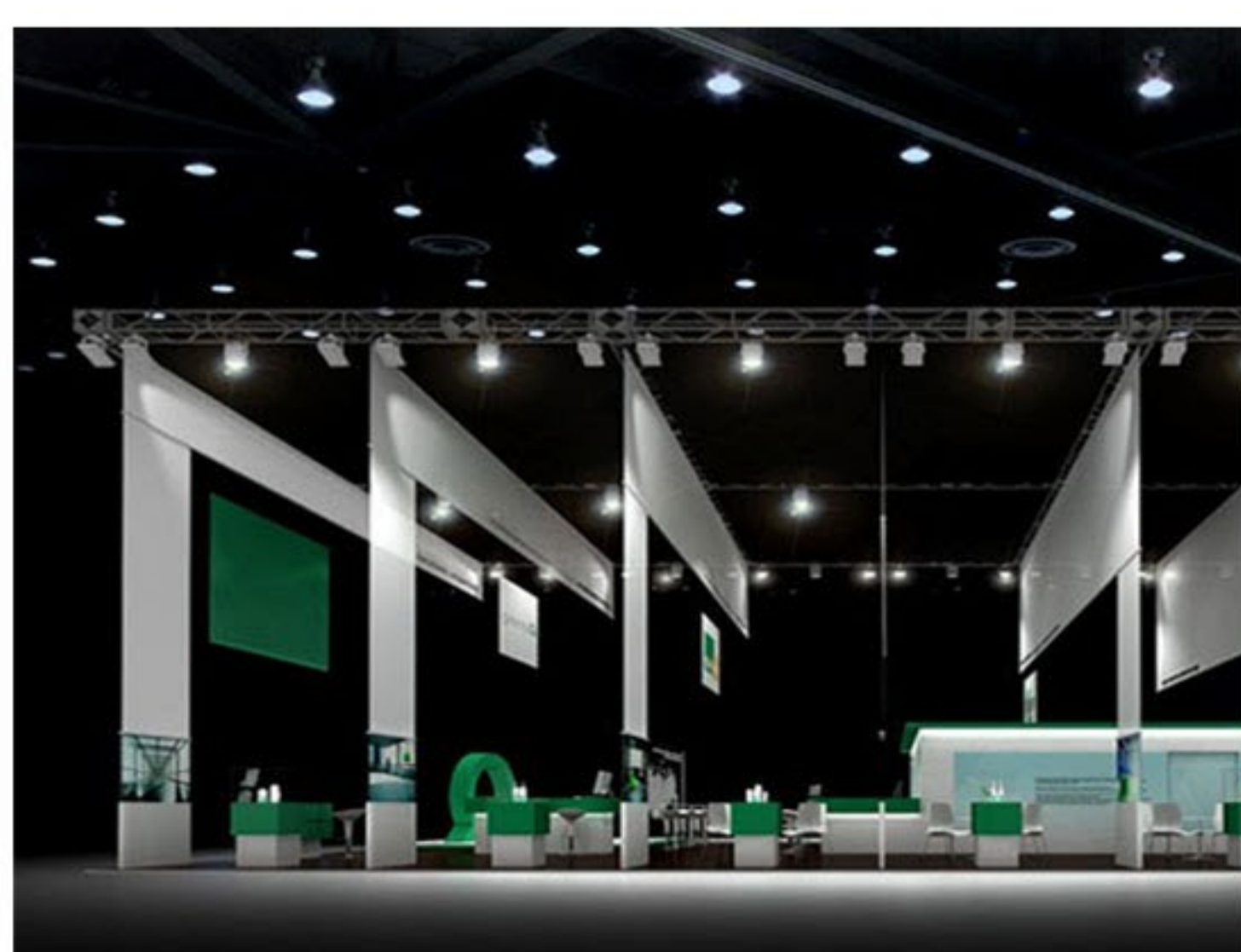
Gas Station



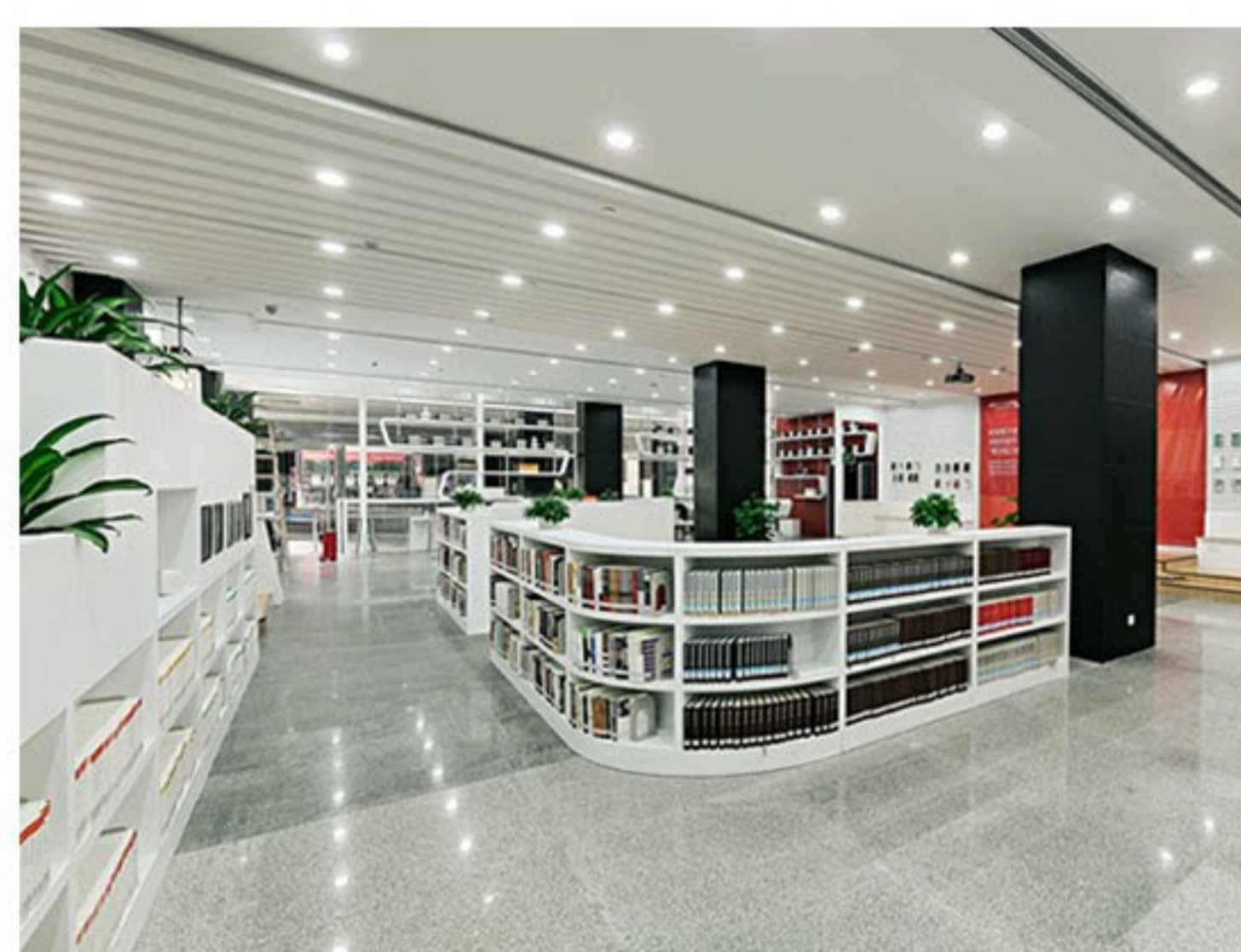
Indoor Stadium



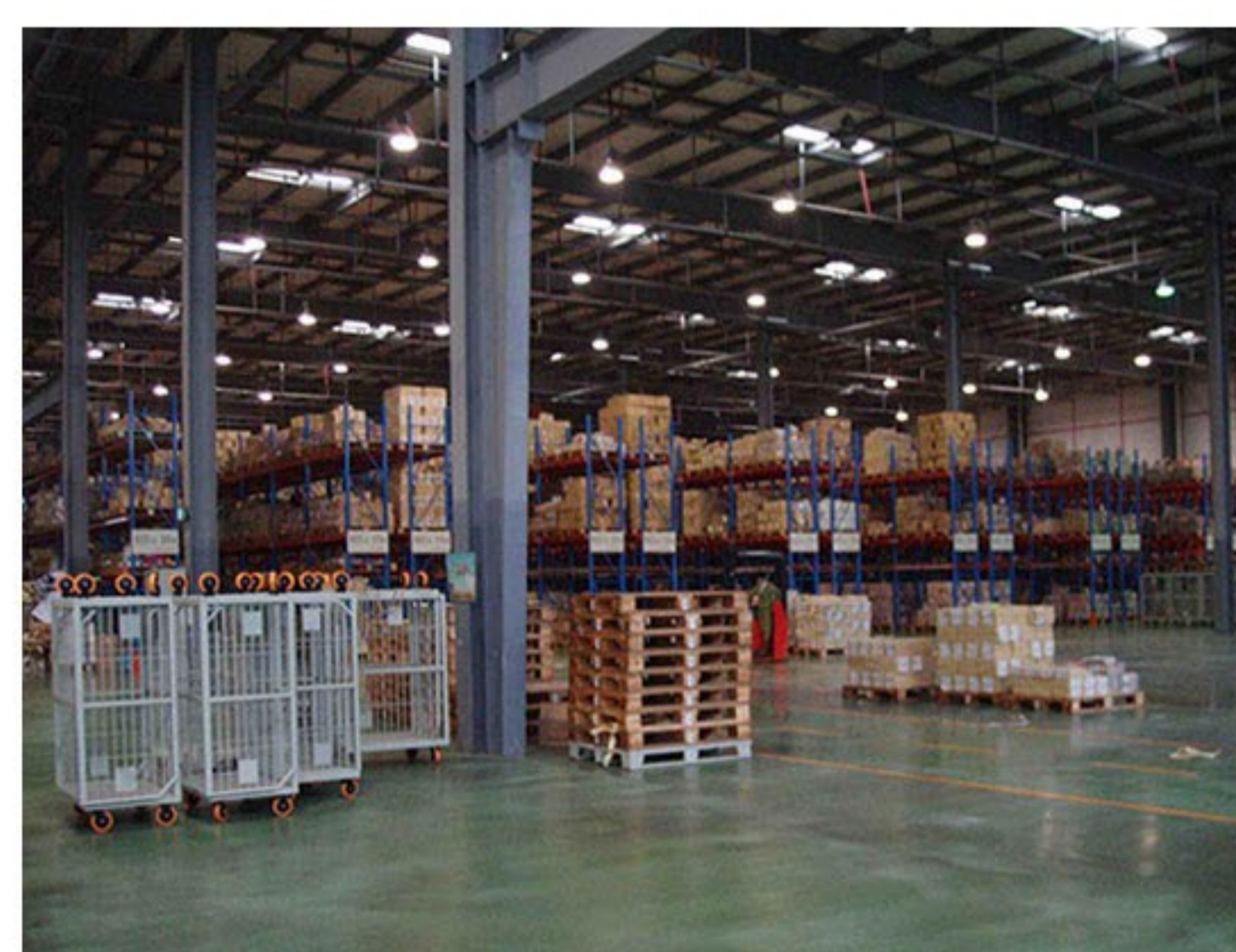
Waiting Room



Exhibition Hall



Library



Warehouse



Cold Storage

Zhejiang Boshang Optoelectronic Co.,Ltd.

Add:Hezhuang Industrial Zone,Xiaoshan District, Hangzhou City,Zhejiang Province,China.

