

# LED STADIUM LIGHT



LUMILEDS



RoHS

IP66

IK10





# Function & Features

## LED Chips

With high lumens chips to maximum the lumen output, system effect is 130~140lm/W, lifespan is up to 50000 hours.



## Multipled Beam Angle Options

Lens of 15°/ 25°/ 60° beam angle available, can be applied in different use occasions.



## Brand LED Driver

Providing excellent performance and lifespan, driver efficiency up to 95%.



## Die-Casting Aluminum Housing

Adopt die-casting aluminum material, good pressure coping, corrosion resistance and no fade, adopt stainless steel plug.

## Adjustable Bracket

180° adjustable, adjust as you want.



ROTARY TYPE



BRACKET TYPE



# Technical Parameters



BSQC600Z-F10D

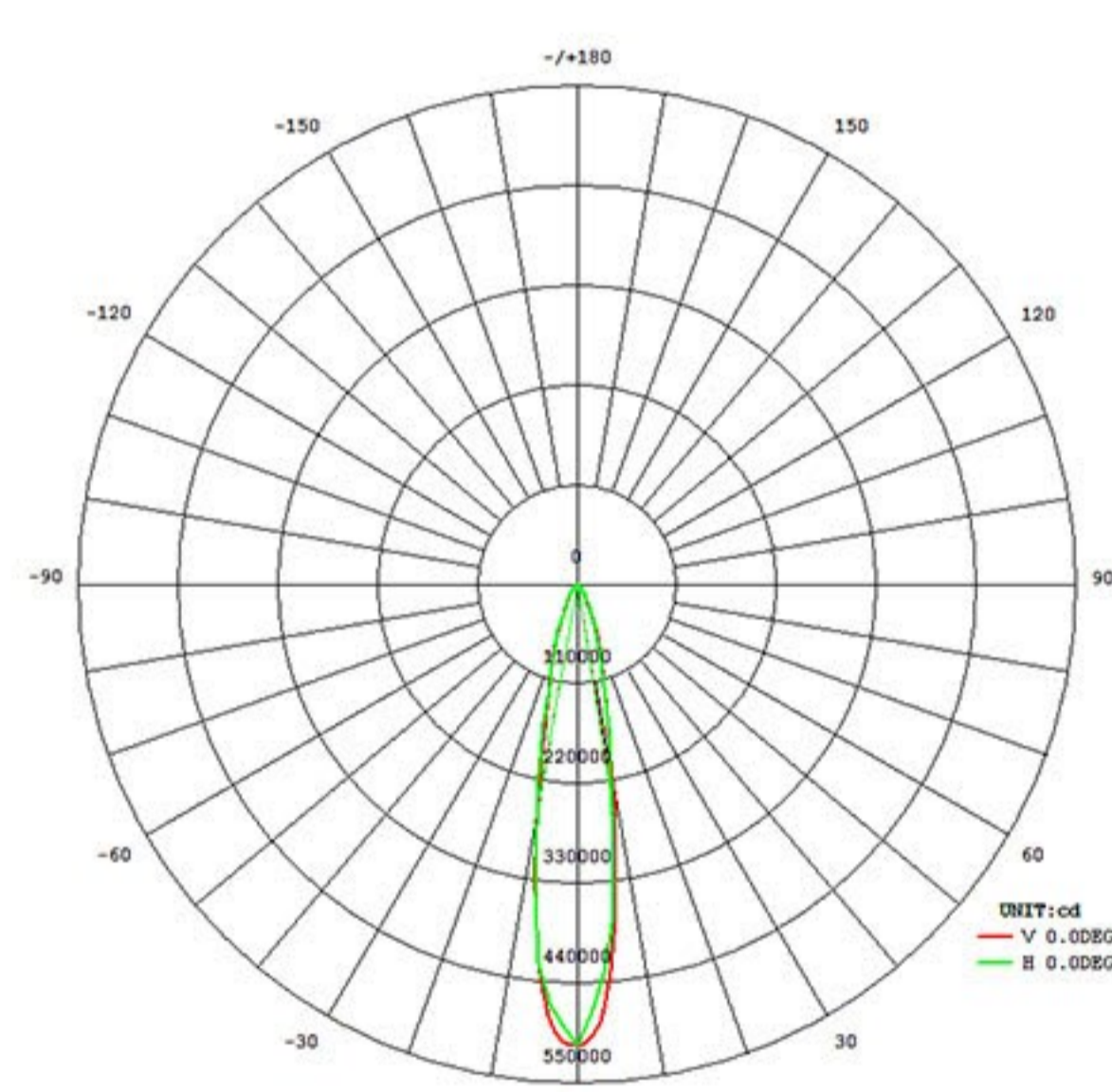


BSQC1200Z-F10D

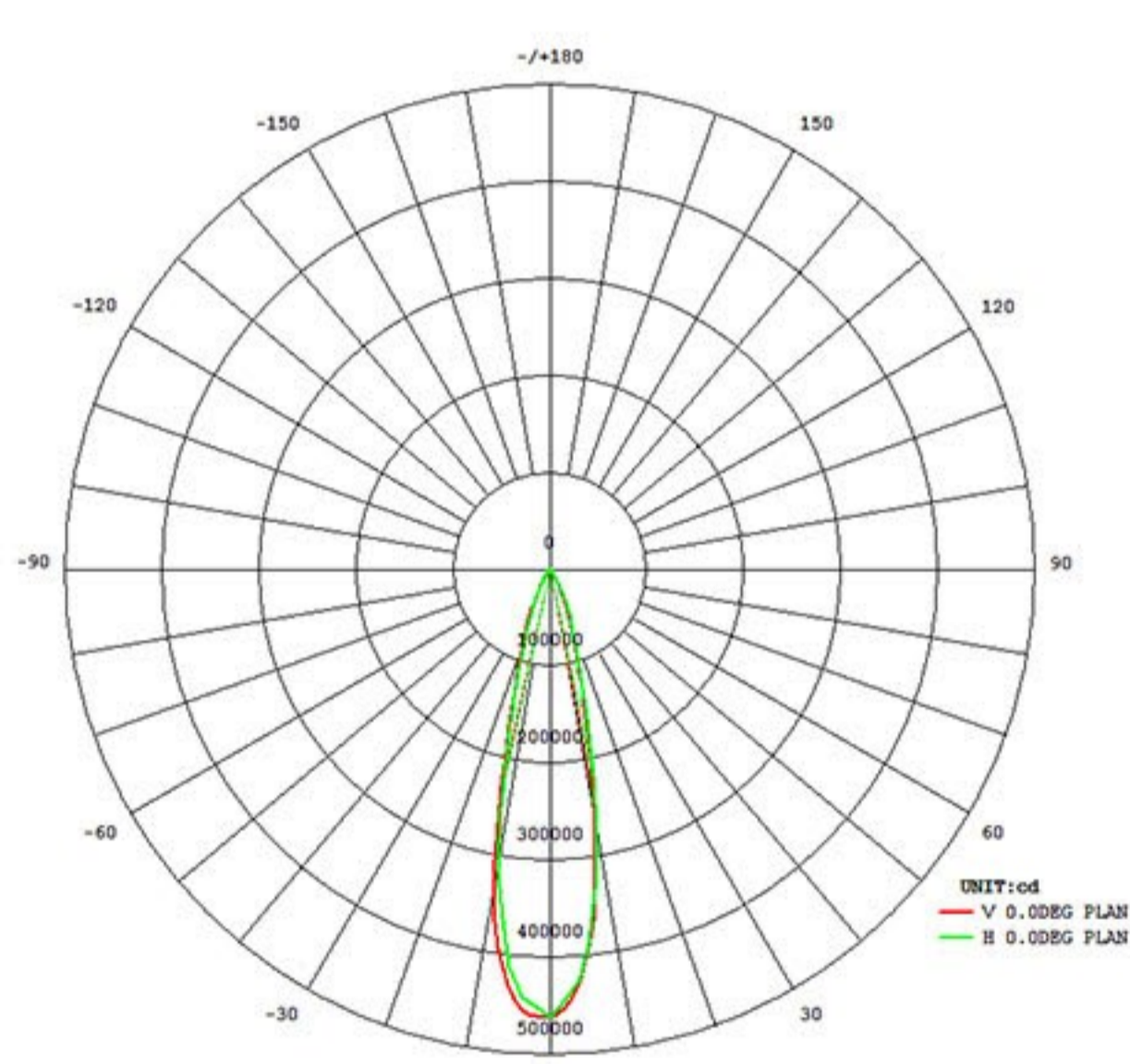


Model No.	BSQC600Z-F10D	BSQC1200Z-F10D
Nominal Wattage	600W	1200W
Input Voltage	AC100-305V 50/60Hz	AC100-305V 50/60Hz
CCT	3000K / 4000K / 5000K / 5700K / 6500K	
CRI	75±5	75±5
Power Factor	>0.95	>0.95
Luminaire Efficacy	130~140lm/W	130~140lm/W
Operating Temperature	-40°C ~ 50°C	-40°C ~ 50°C

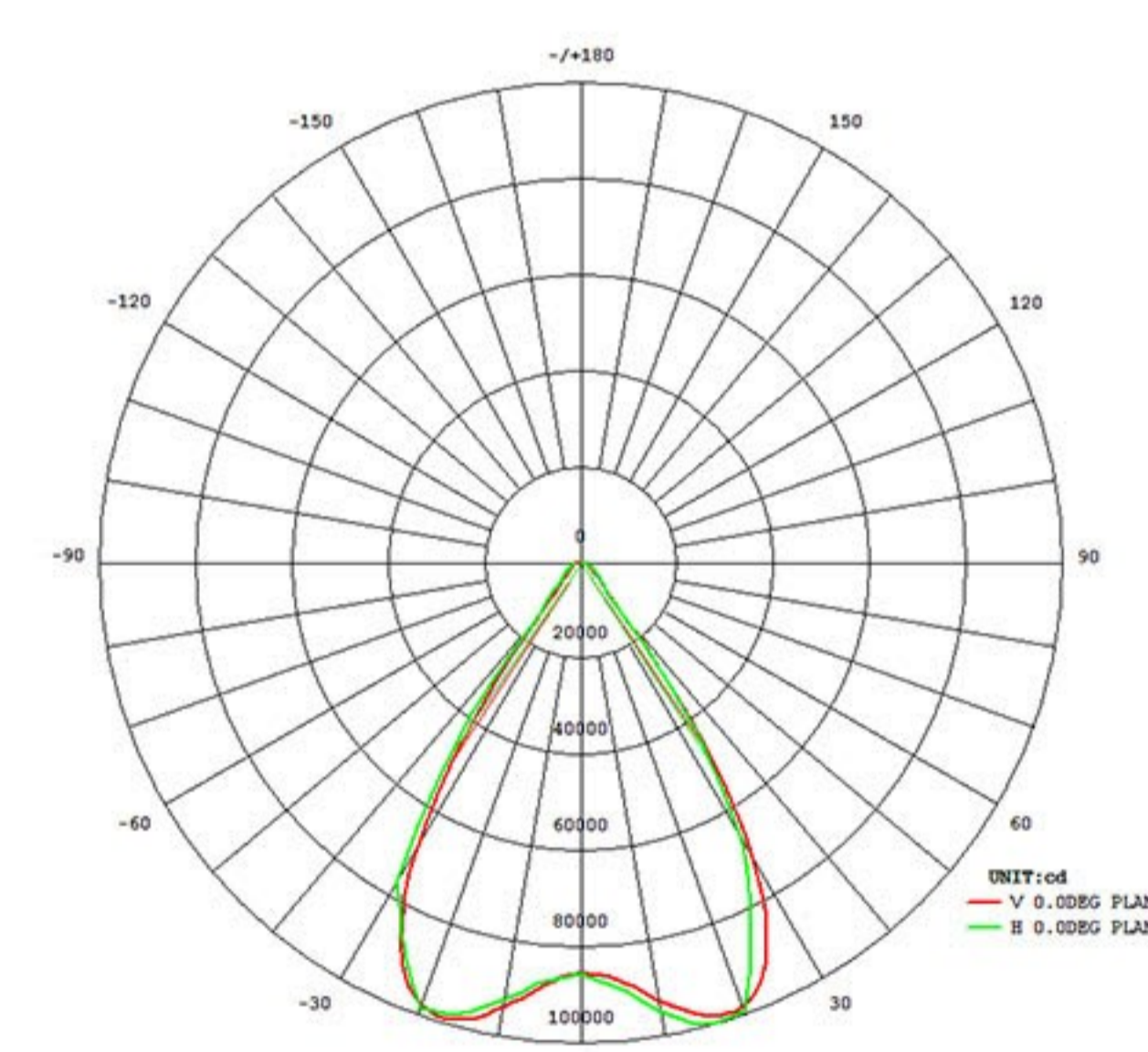
## Distribution Curve



15°



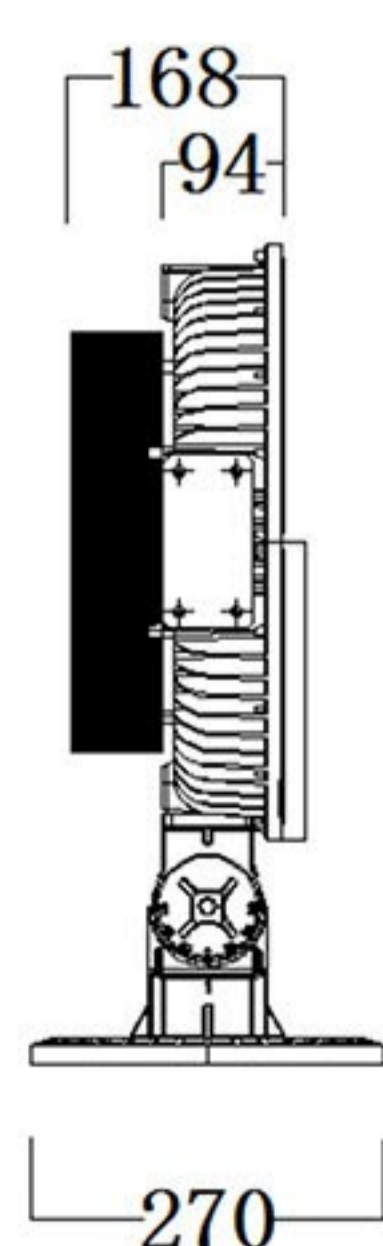
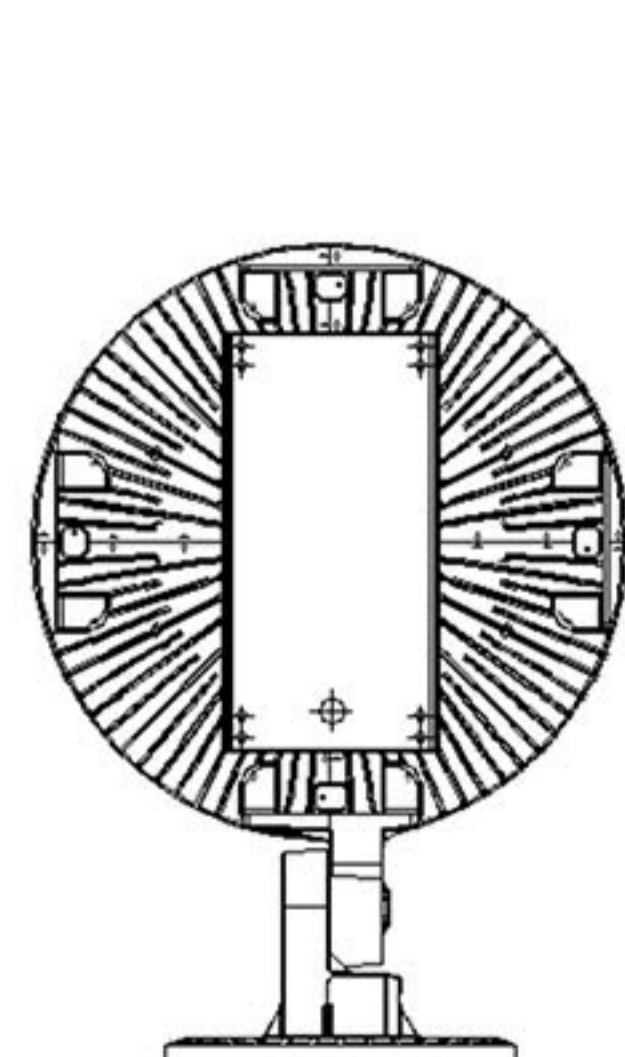
25°



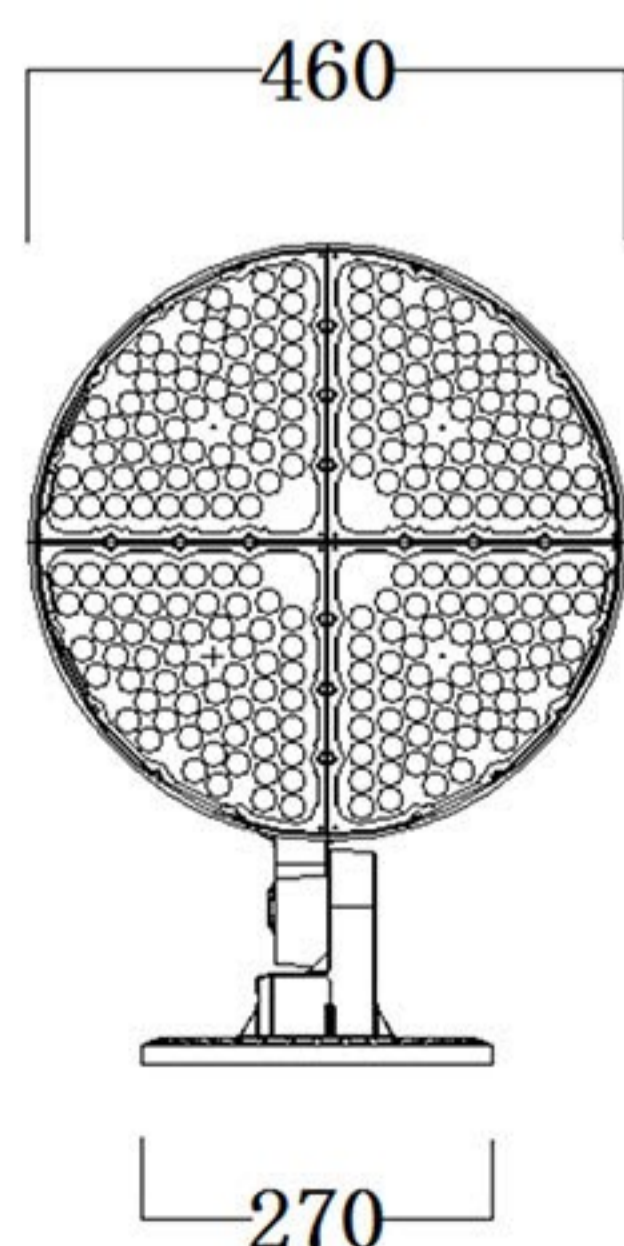
60°

## Product Size

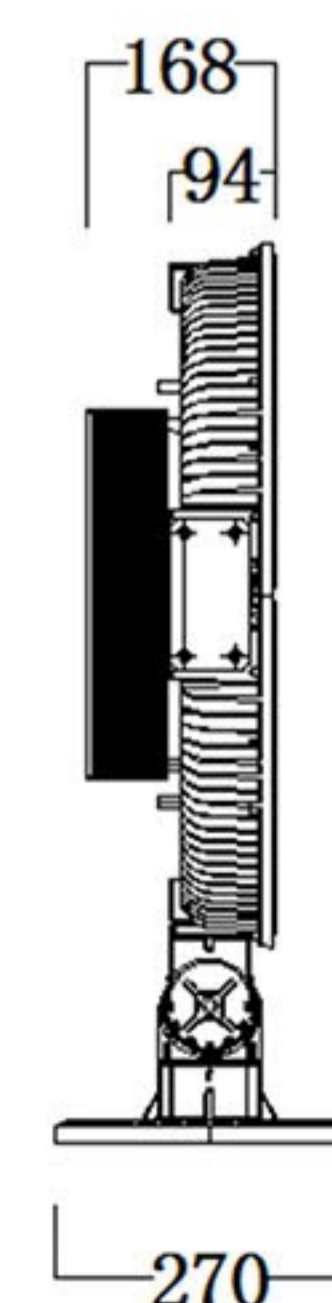
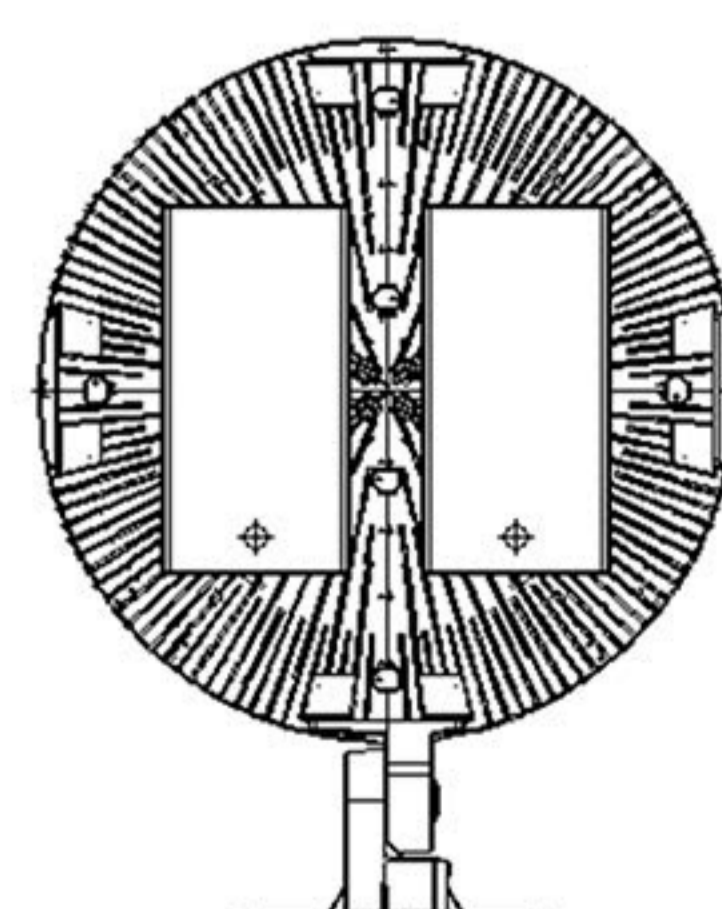
### ROTARY TYPE



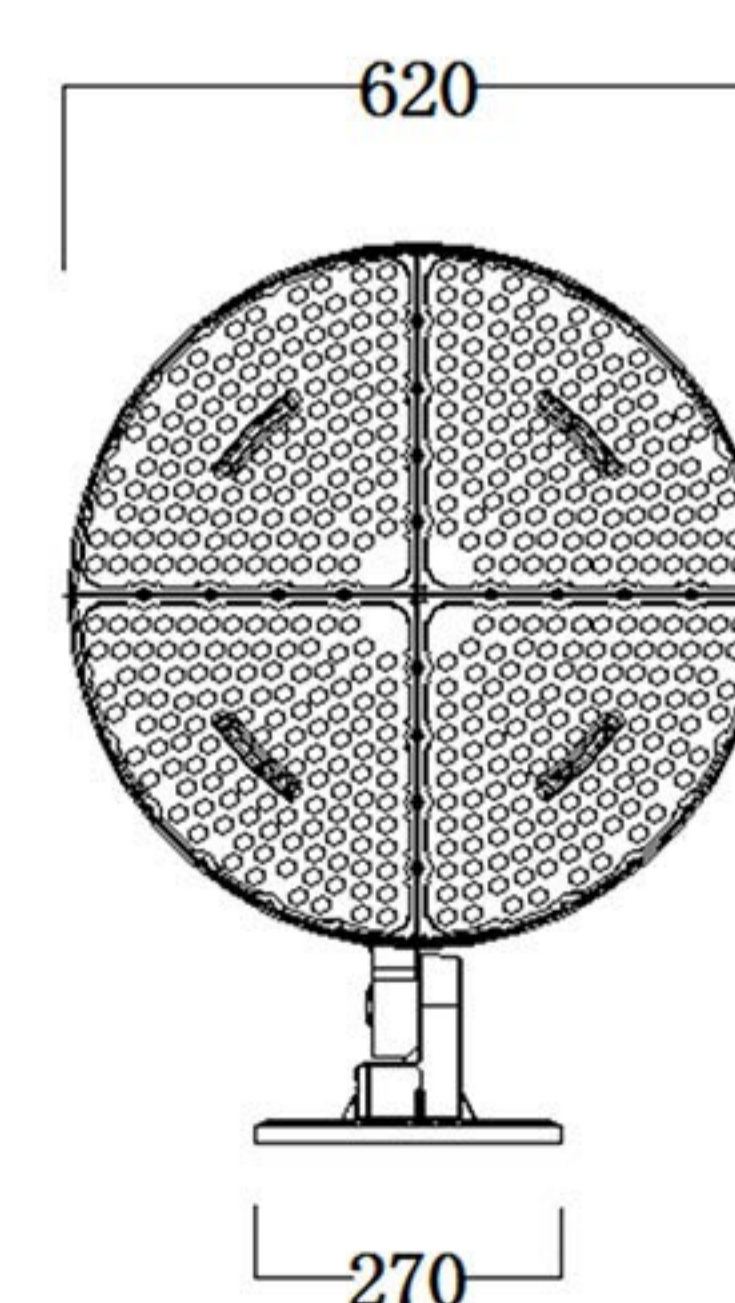
BSQC600Z-F10D



632



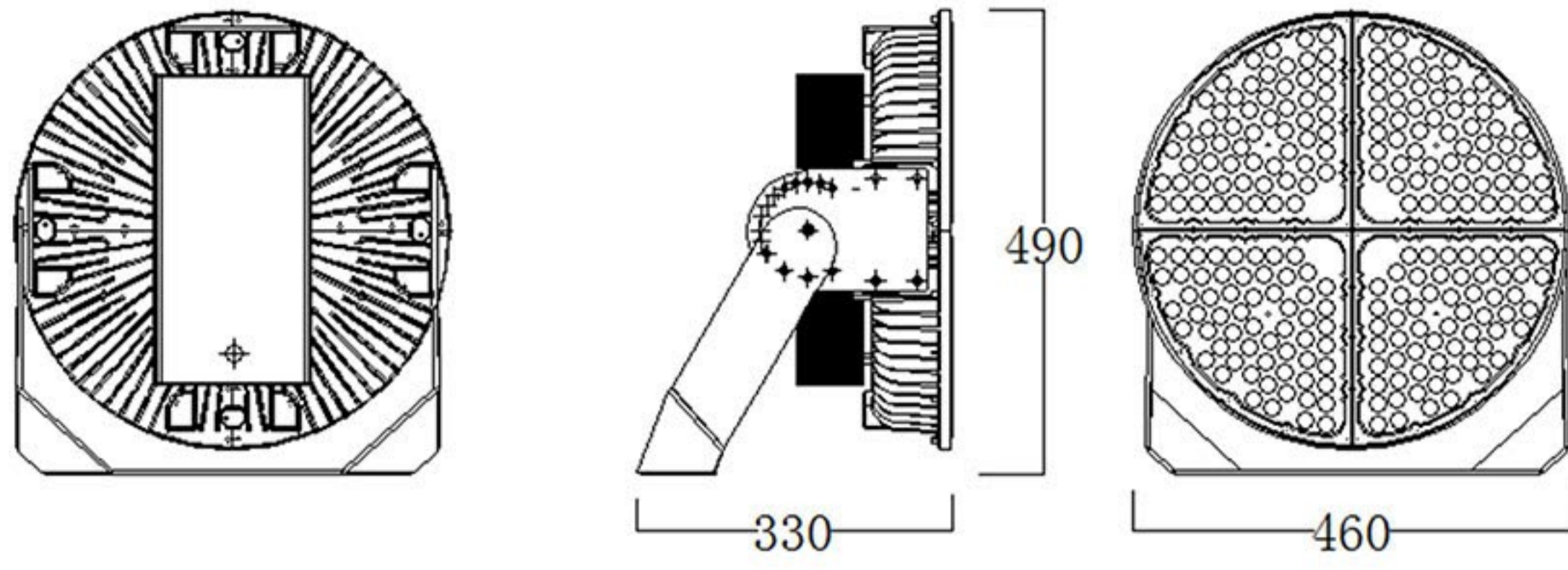
BSQC1200Z-F10D



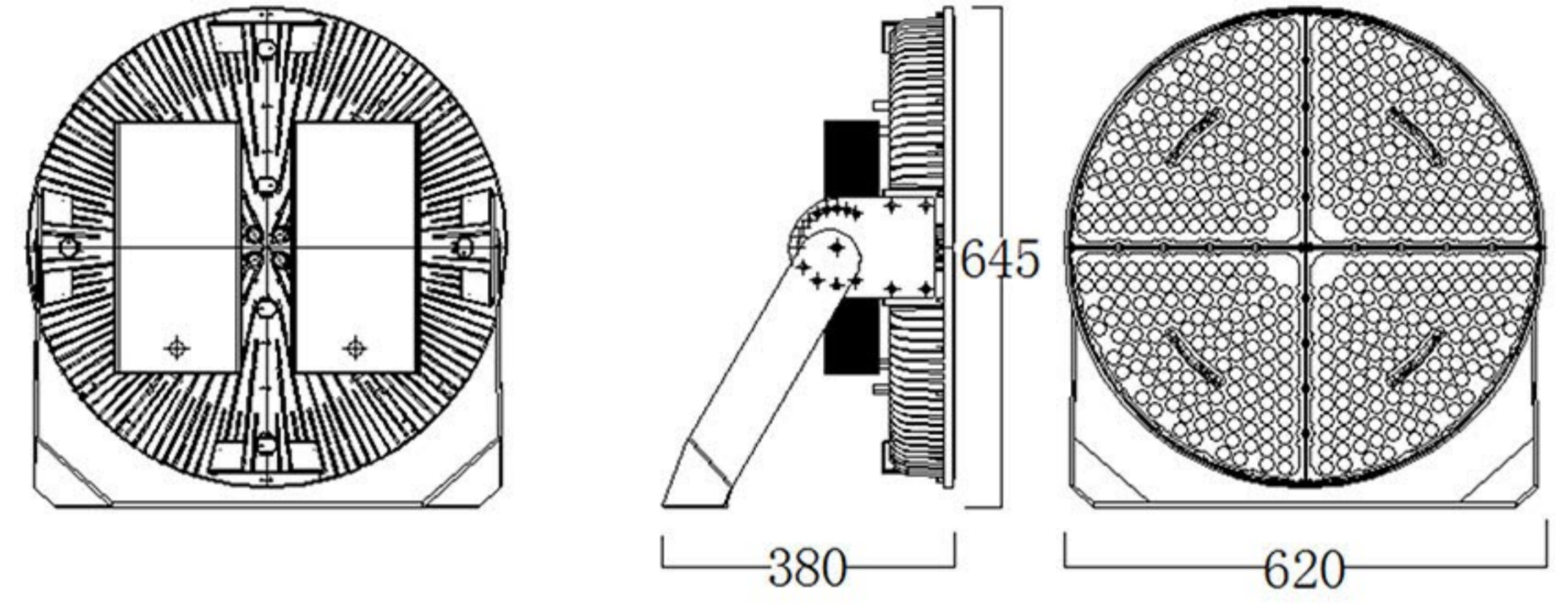
792



## BRACKET TYPE



BSQC600Z-F10D



BSQC1200Z-F10D

Model	Product Size(L*H*W) Rotary Type	Product Size(L*H*W) Bracket Type	Packing Size(L*H*W)	N.W.	G.W.
BSQC600Z-F10D	632*460*270mm	490*460*330mm	620*495*230mm	18kg	19.5kg
BSQC1200Z-F10D	792*620*270mm	645*620*380mm	800*495*230mm	26kg	29kg

## Application Scenes

General lighting for football field, golf course, tennis court, stadium, park, square, road interchange, crossroad, airport, train station, bus station and other high pole lighting.



Zhejiang Boshang Optoelectronic Co.,Ltd.

Add:Hezhuang Industrial Zone,Xiaoshan District,Hangzhou City,Zhejiang Province,China.

