

# LED High Mast Light

General lighting for football field, golf course, tennis court, park, square, road interchange, crossroad, airport, train station, bus station and other high pole lighting.



CE RoHS IP66 IK10



# Function& Features



Protection grade reaches IP66



Anti-Level-17 hurricane

Lens of 25°/45°/60°/90°/55\*140° beam angle available, can be applied in stadiums,docks,big buildings,squares and landscape, etc,which is a high-end sport floodlighting product.

Adopts high transparency PC lens with soft and well-distributed light, light transmittance is more than 92%.

Modular design,quick and easy installation and maintenance.



# Function& Features

---

New design high mast light can perfectly replace traditional metal halide with excellent energy-saving.



Air hole cover design will help air convection.

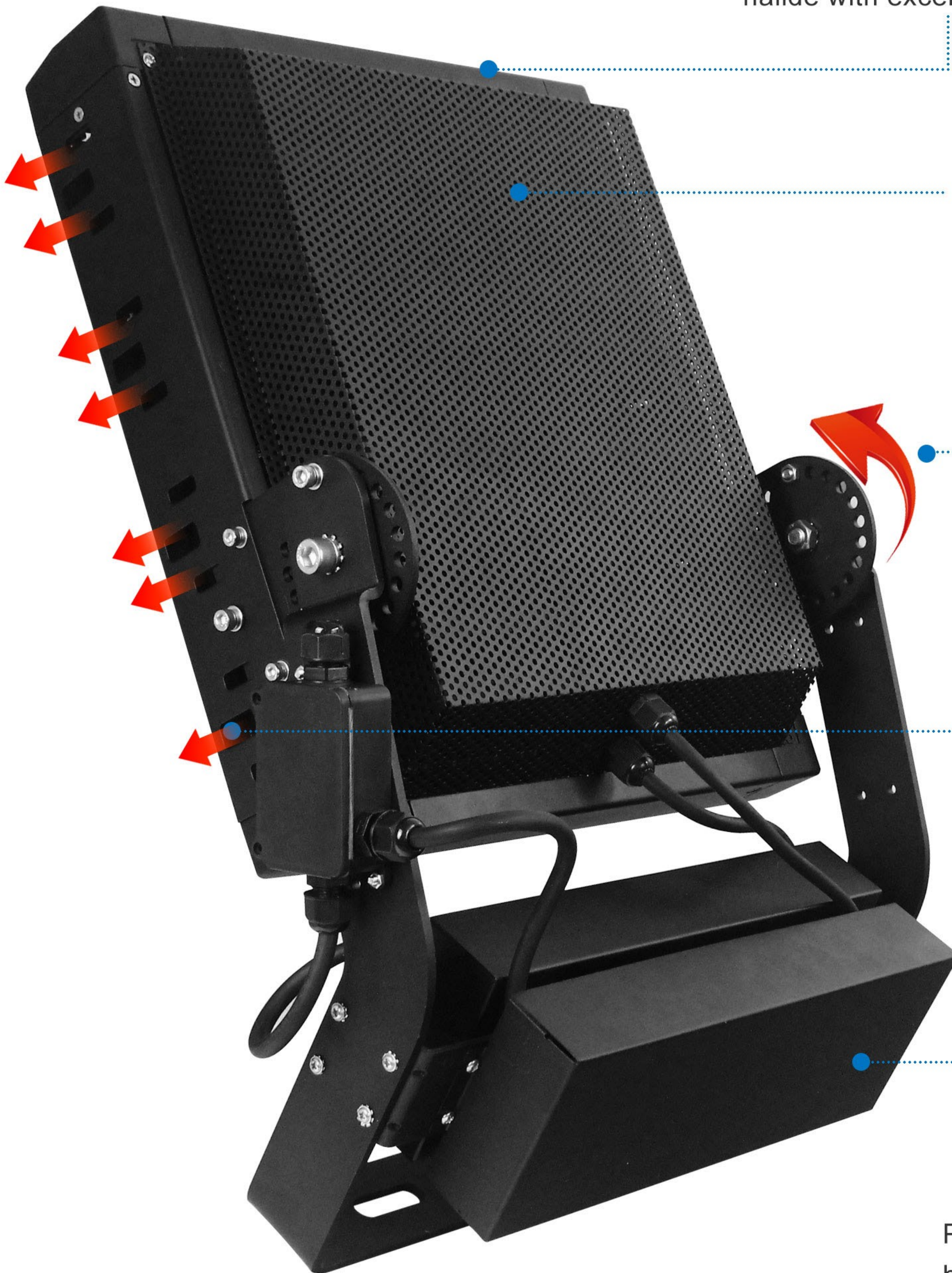


The adjustable bracket, 120° adjustable, adjust as you want.



Adopts cooling fins which of large radiate area, the heat dissipation of the heat sink is more effectively. Meanwhile, the structure of the heat sink is light weight and reliable, makes it convenient and lower cost for assembling and shipping.

Precise electrophoresis and powder baking treatment enhanced the surface strength and corrosion resistance, which makes easily cope with hostile outdoor environments. And improved the outlook at the meantime.



# Technical Parameters



BSTG04R-D300



BSTG04R-D400



BSTG04R-D500

Model No.	BSTG04R-D300	BSTG04R-D400	BSTG04R-D500
Nominal Wattage	300W	400W	500W
Input Voltage	AC100-305V 50/60Hz	AC100-305V 50/60Hz	AC100-305V 50/60Hz
CCT	3000K/4000K/5000K/5700K/6500K	3000K/4000K/5000K/5700K/6500K	3000K/4000K/5000K/5700K/6500K
CRI	75±5	75±5	75±5
PF	>0.95	>0.95	>0.95
Operating Temperature	-40°C ~ 65°C	-40°C ~ 65°C	-40°C ~ 65°C
Luminaire Efficacy	>150lm/W	>150lm/W	>150lm/W



BSTG04R-D600



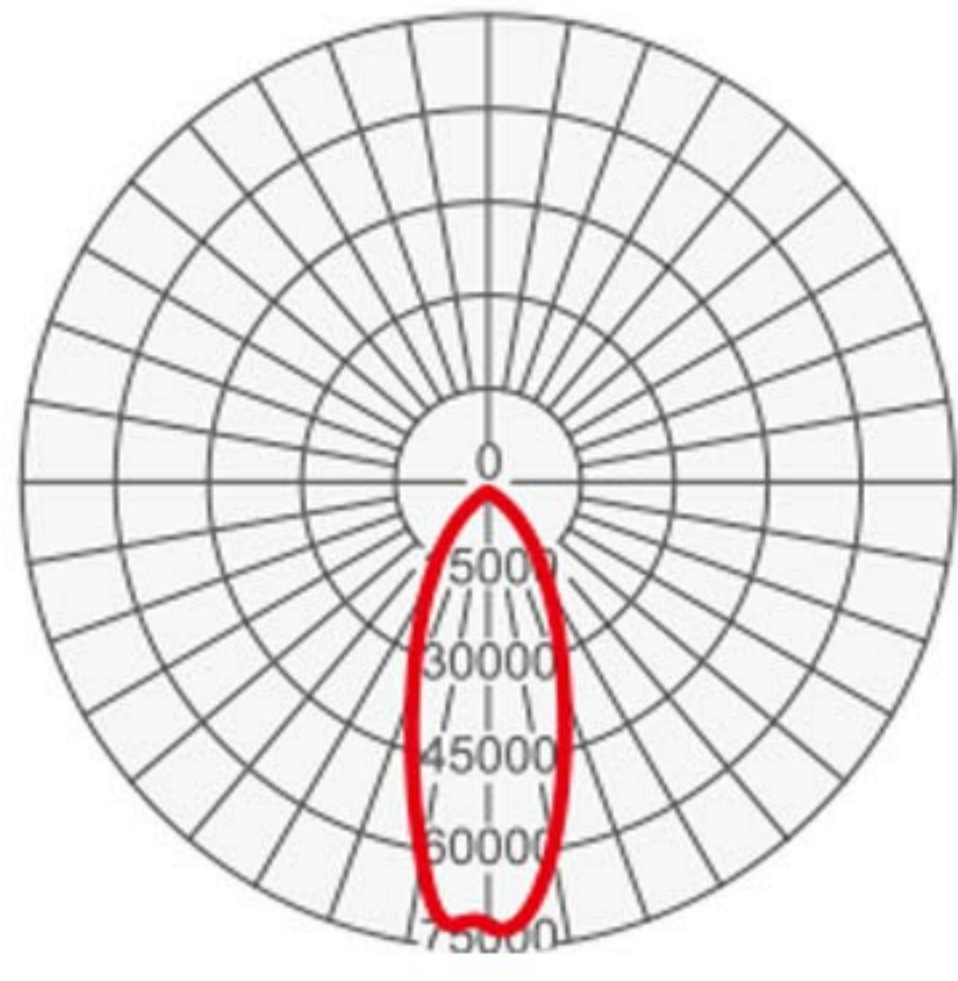
BSTG04R-D800



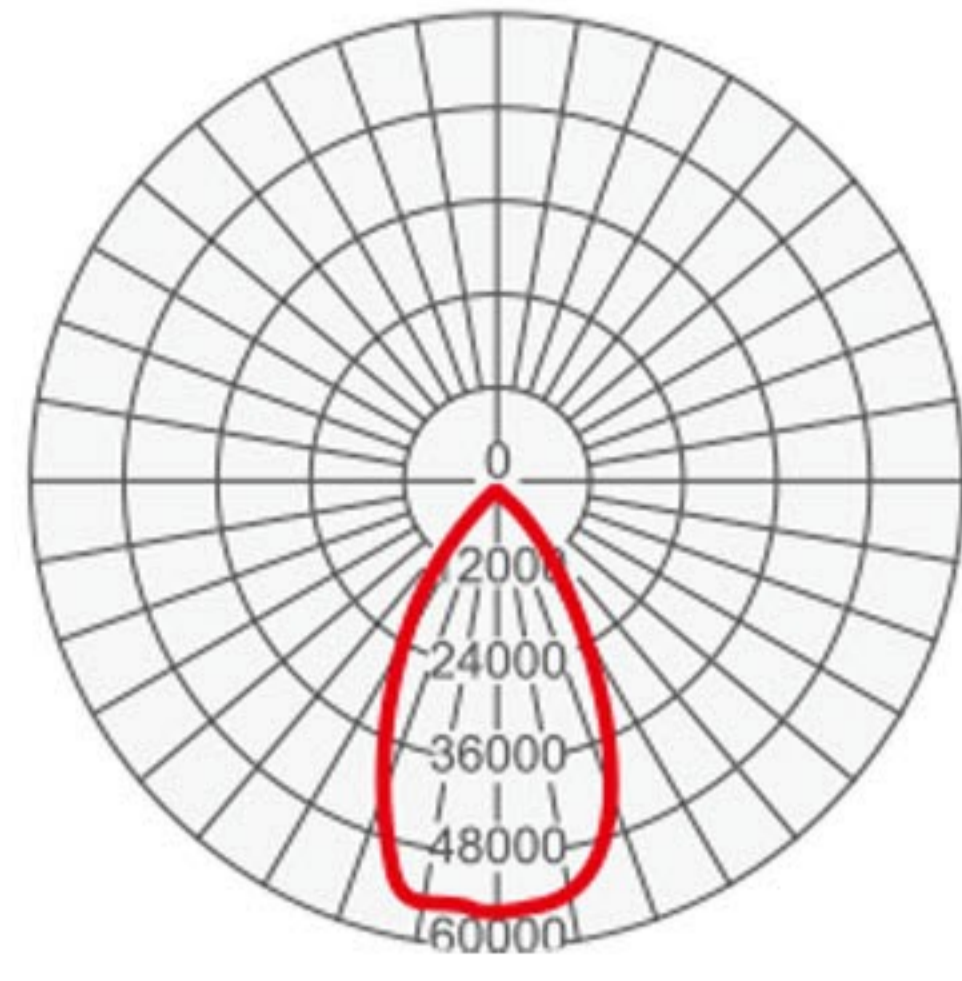
BSTG04R-D1000

Model No.	BSTG04R-D600	BSTG04R-D800	BSTG04R-D1000
Nominal Wattage	600W	800W	1000W
Input Voltage	AC100-305V 50/60Hz	AC100-305V 50/60Hz	AC100-305V 50/60Hz
CCT	3000K/4000K/5000K/5700K/6500K	3000K/4000K/5000K/5700K/6500K	3000K/4000K/5000K/5700K/6500K
CRI	75±5	75±5	75±5
PF	>0.95	>0.95	>0.95
Operating Temperature	-40°C ~ 65°C	-40°C ~ 65°C	-40°C ~ 65°C
Luminaire Efficacy	>150lm/W	>150lm/W	>150lm/W

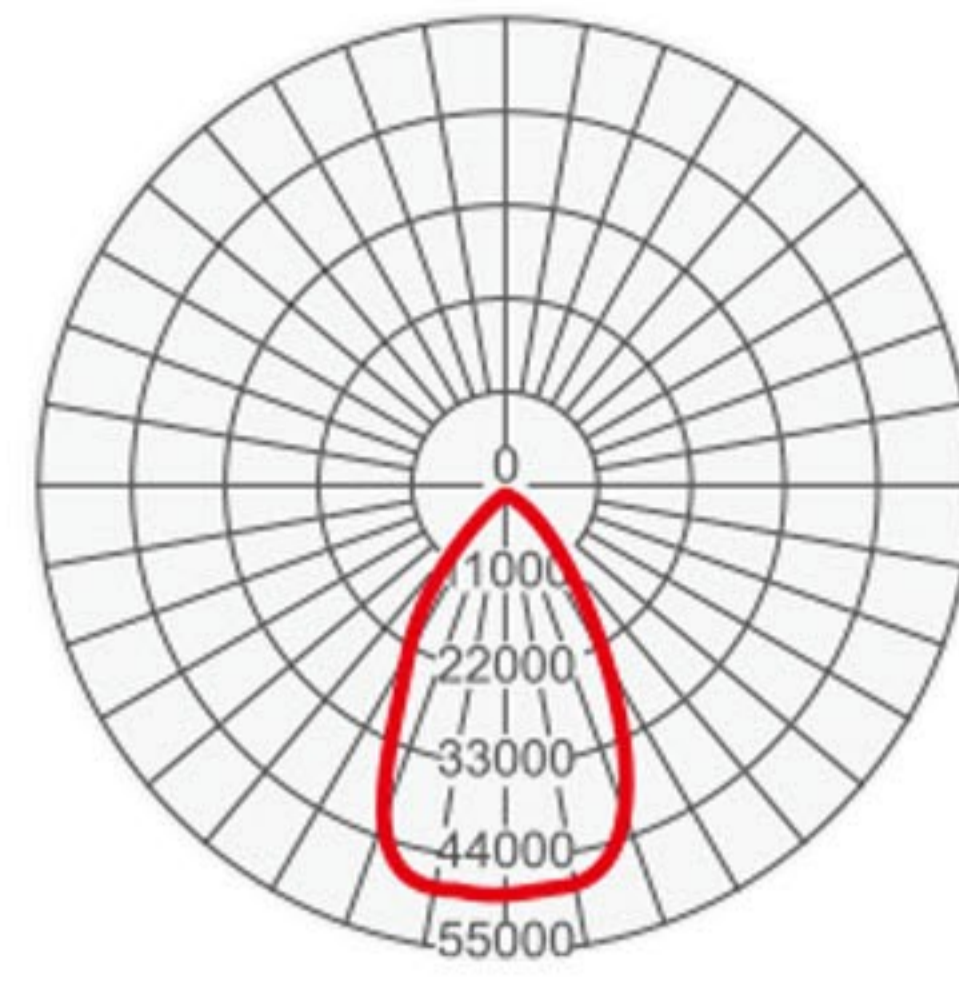
## Distribution Curve



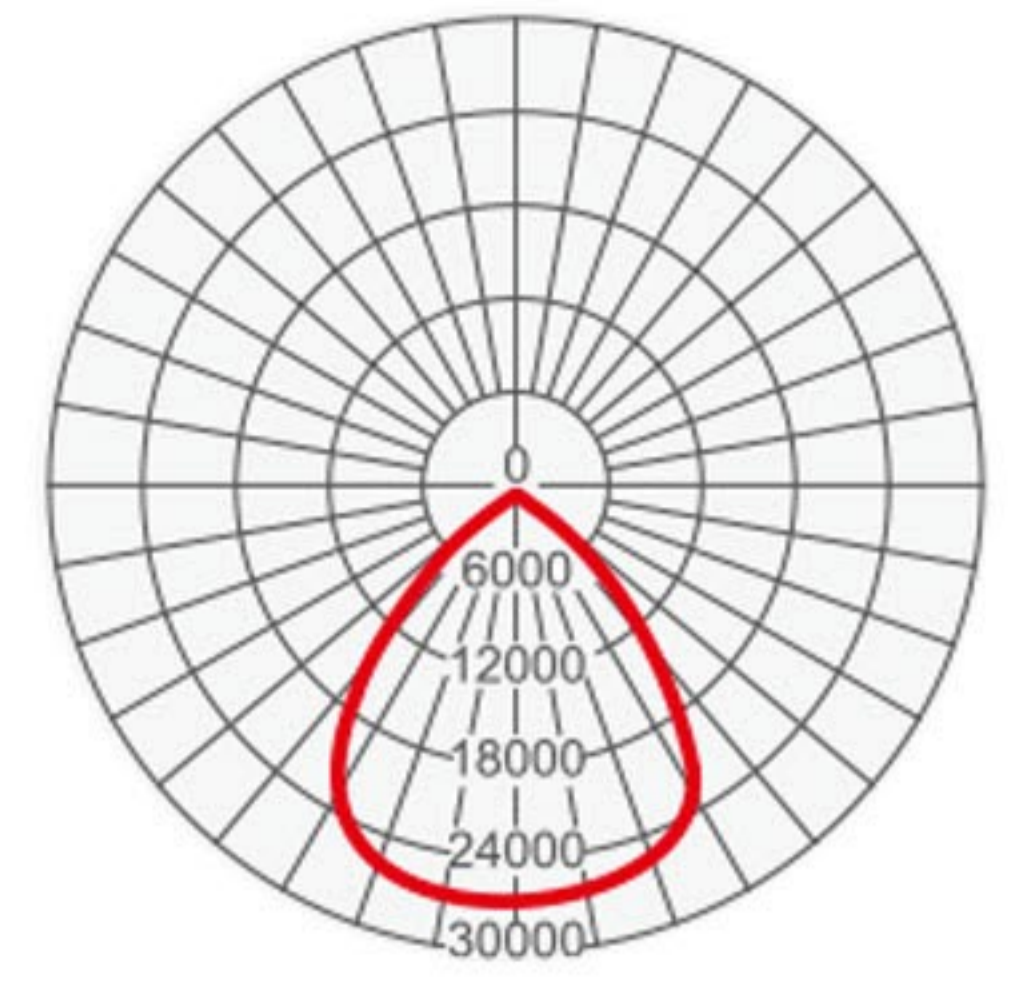
25°



45°



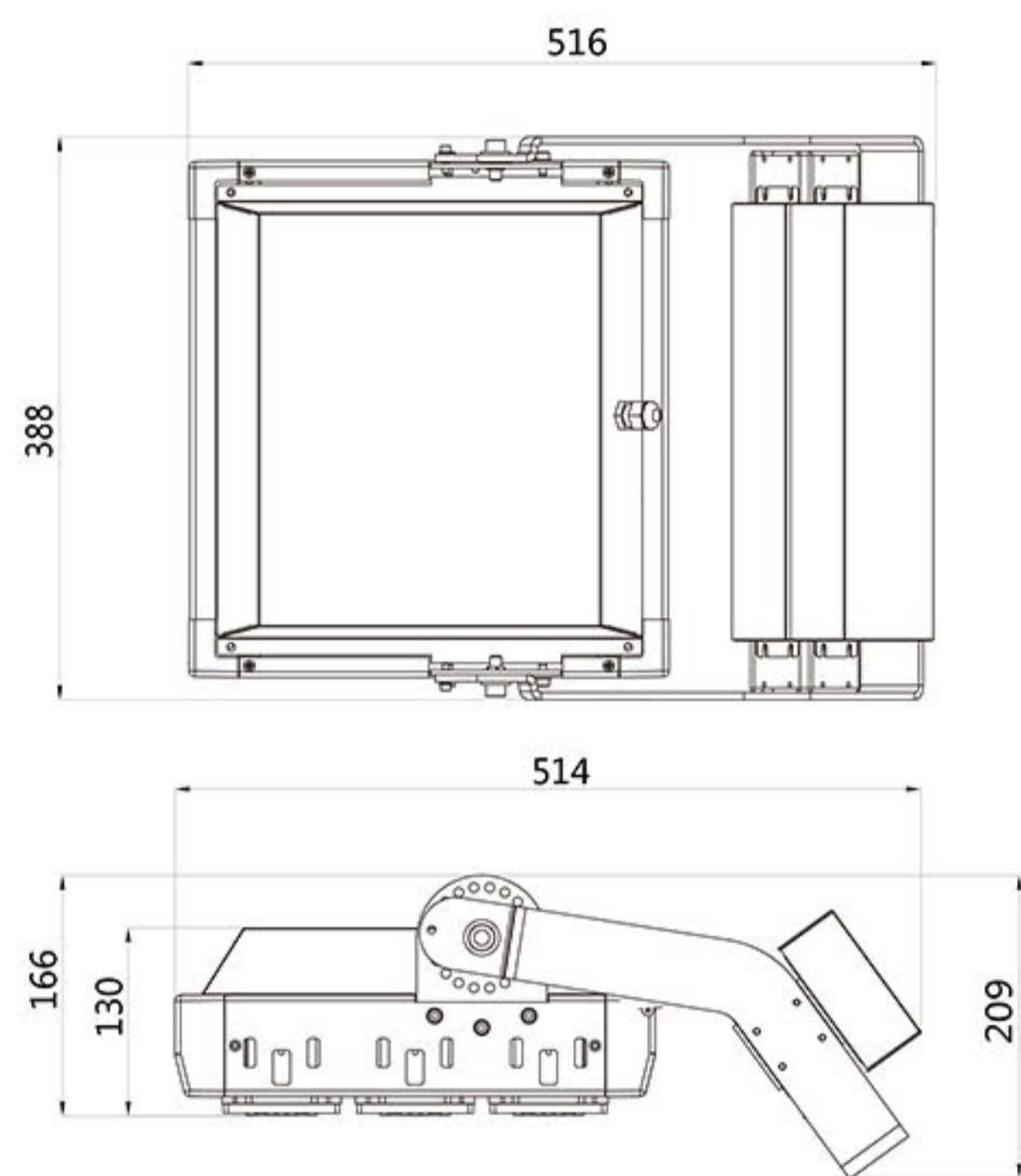
60°



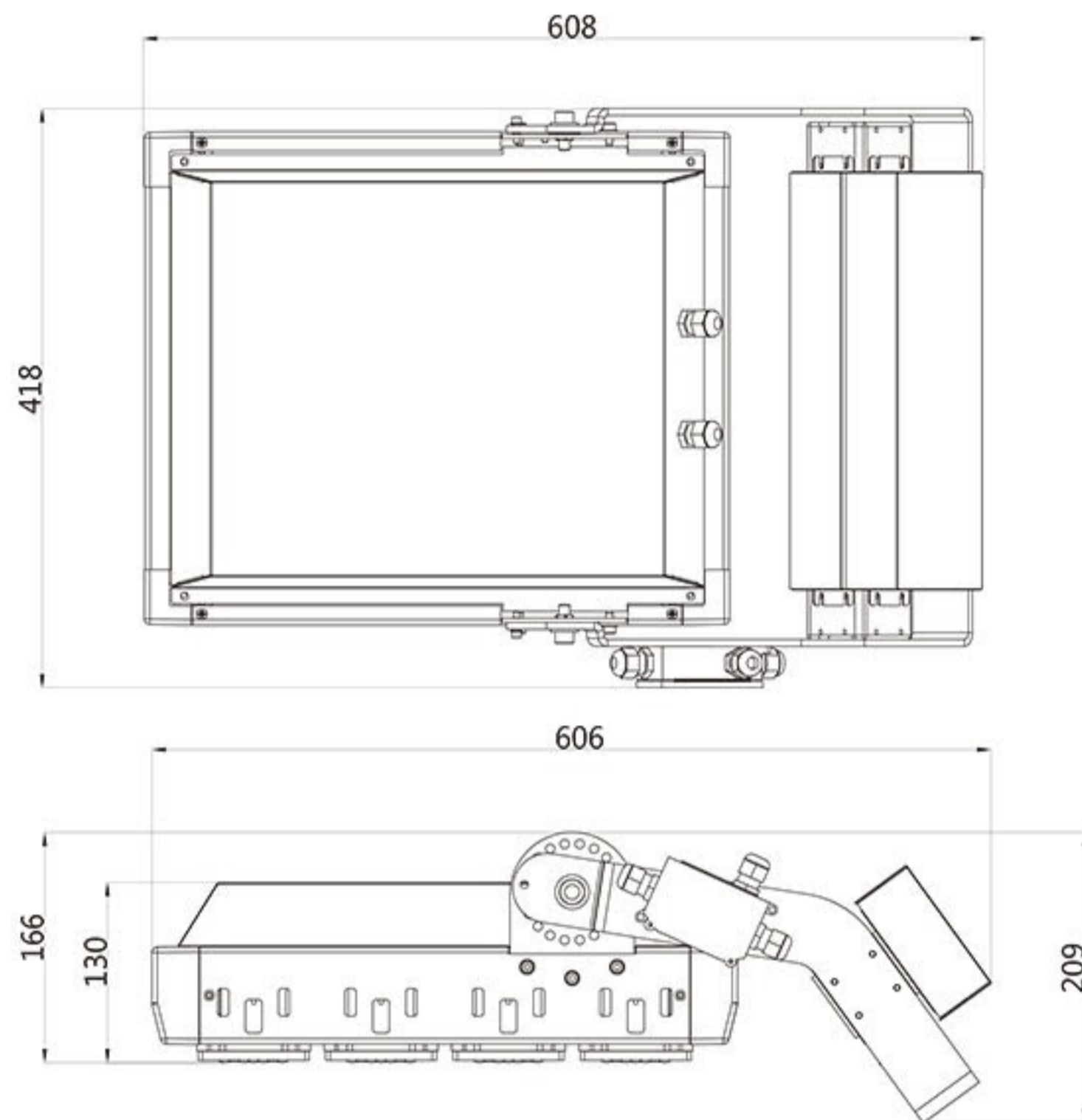
90°

## Product Size

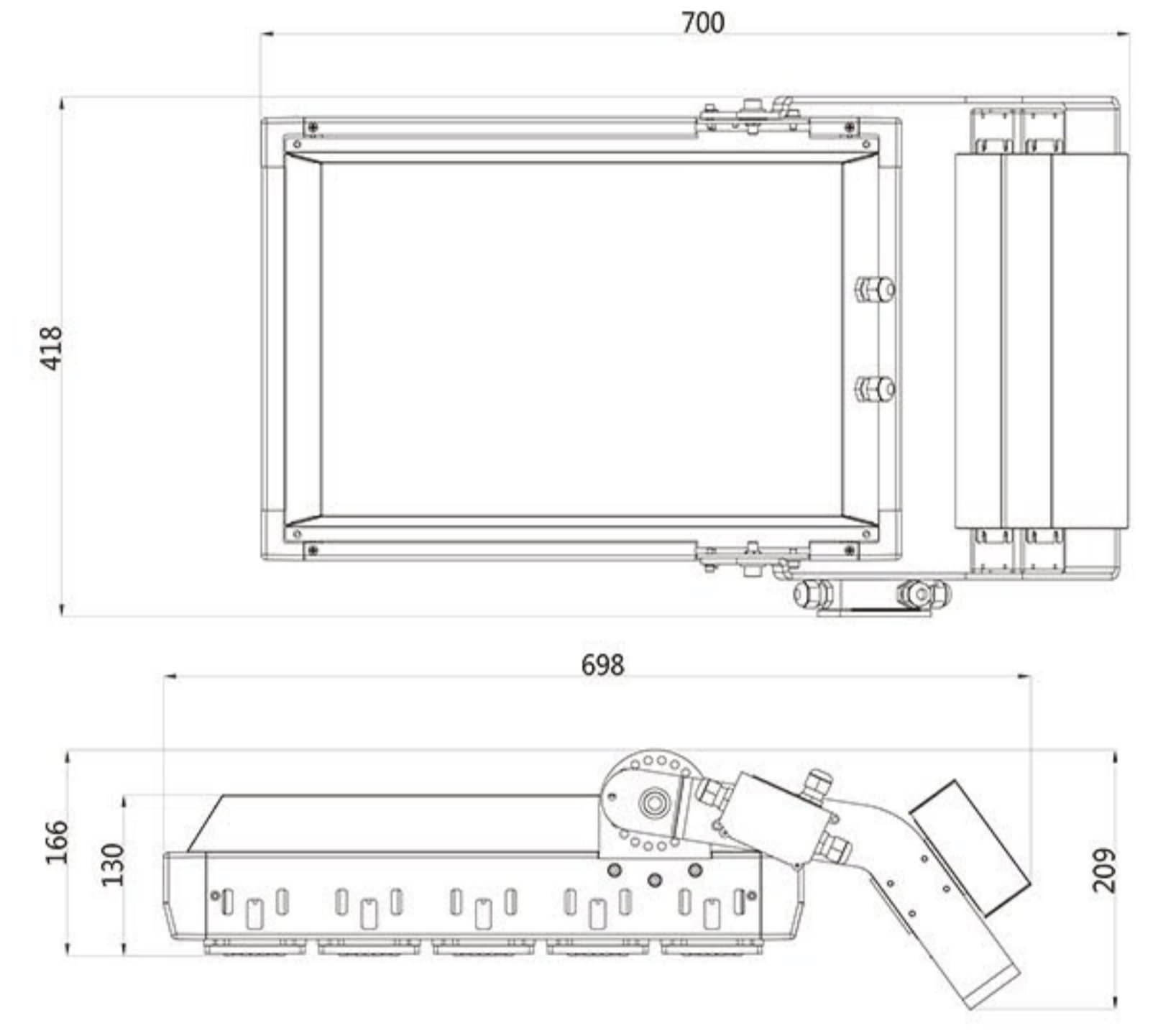
(Unit:mm)



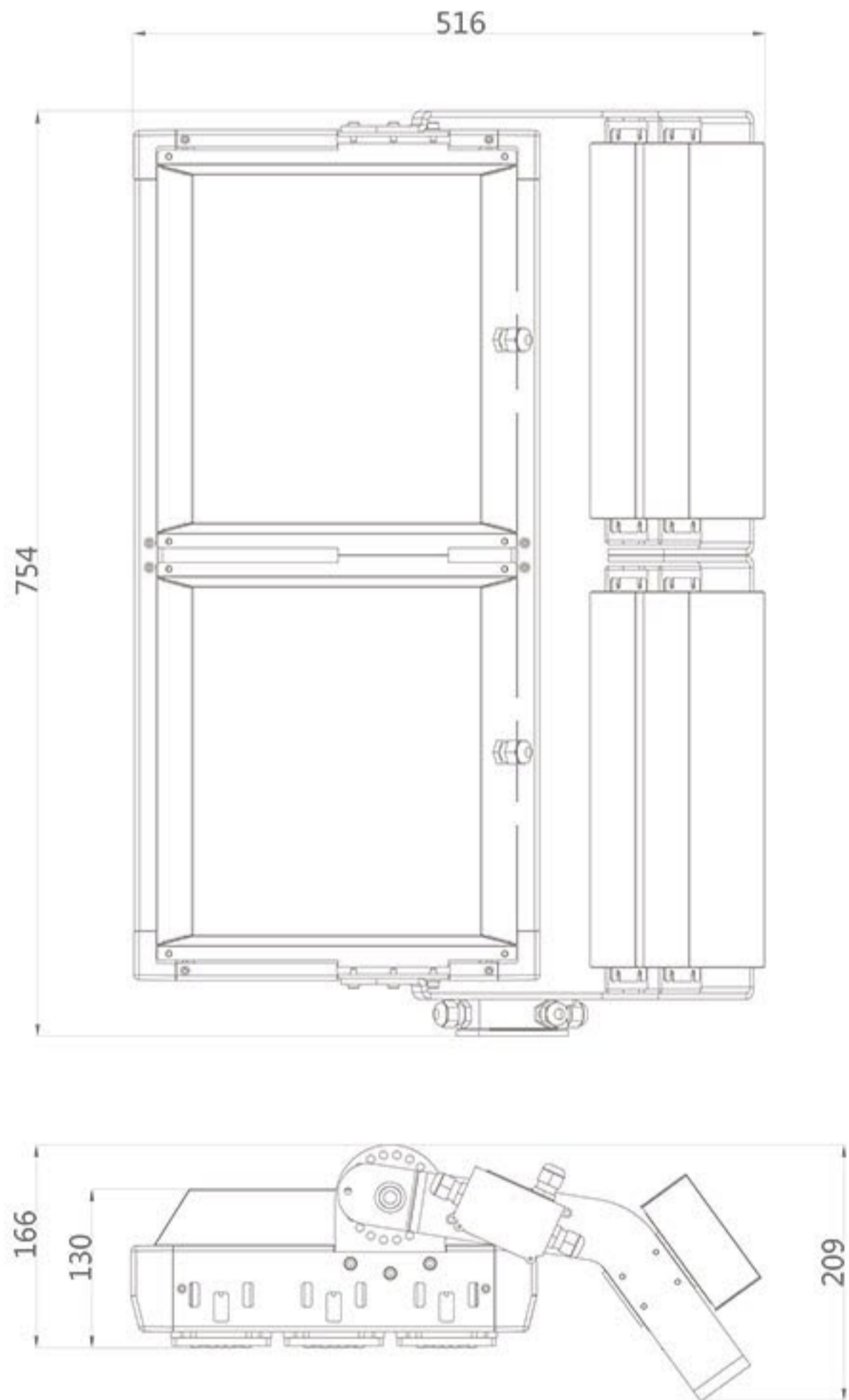
**BSTG04R-D300 / 3 Modules**



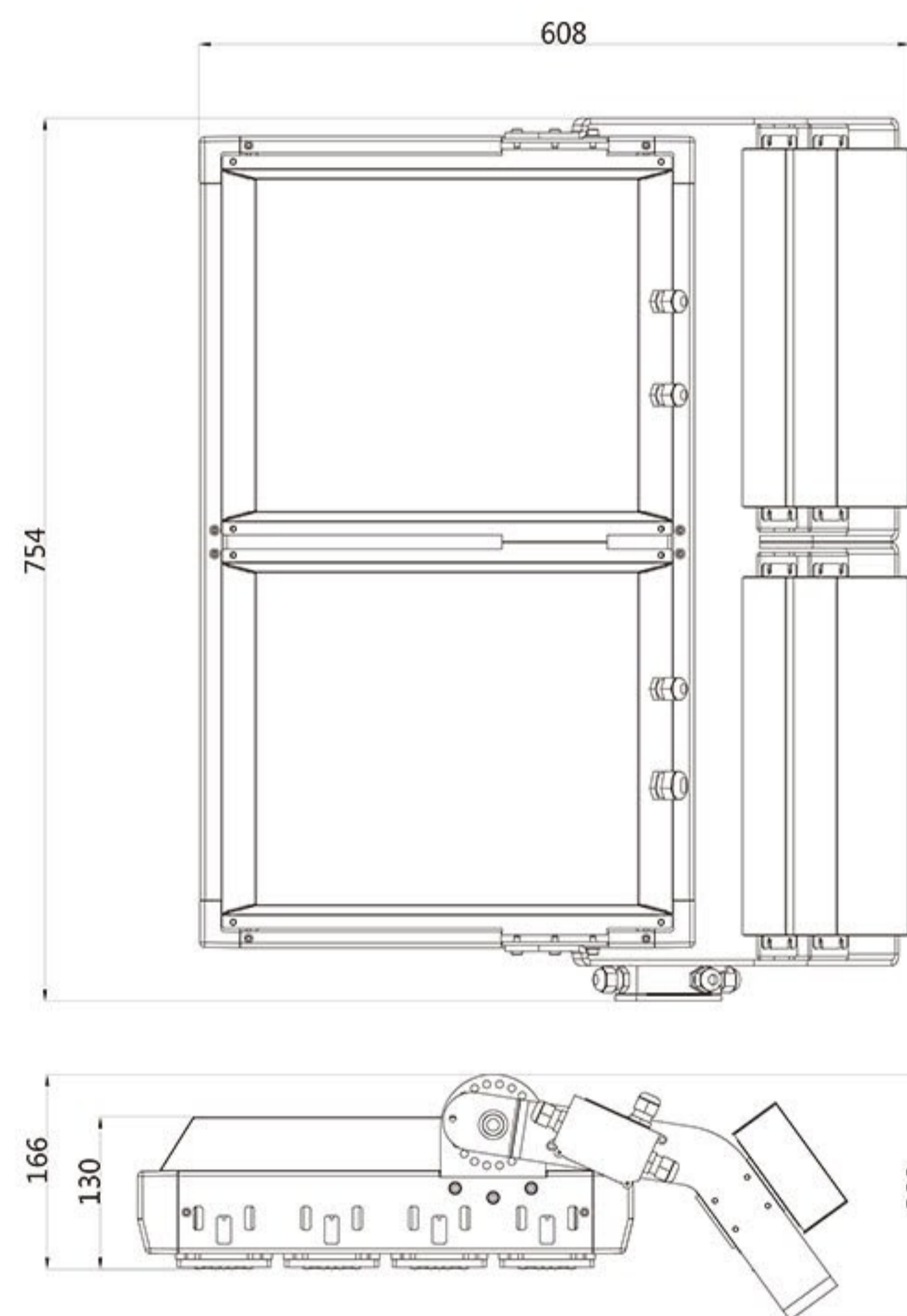
**BSTG04R-D400 / 4 Modules**



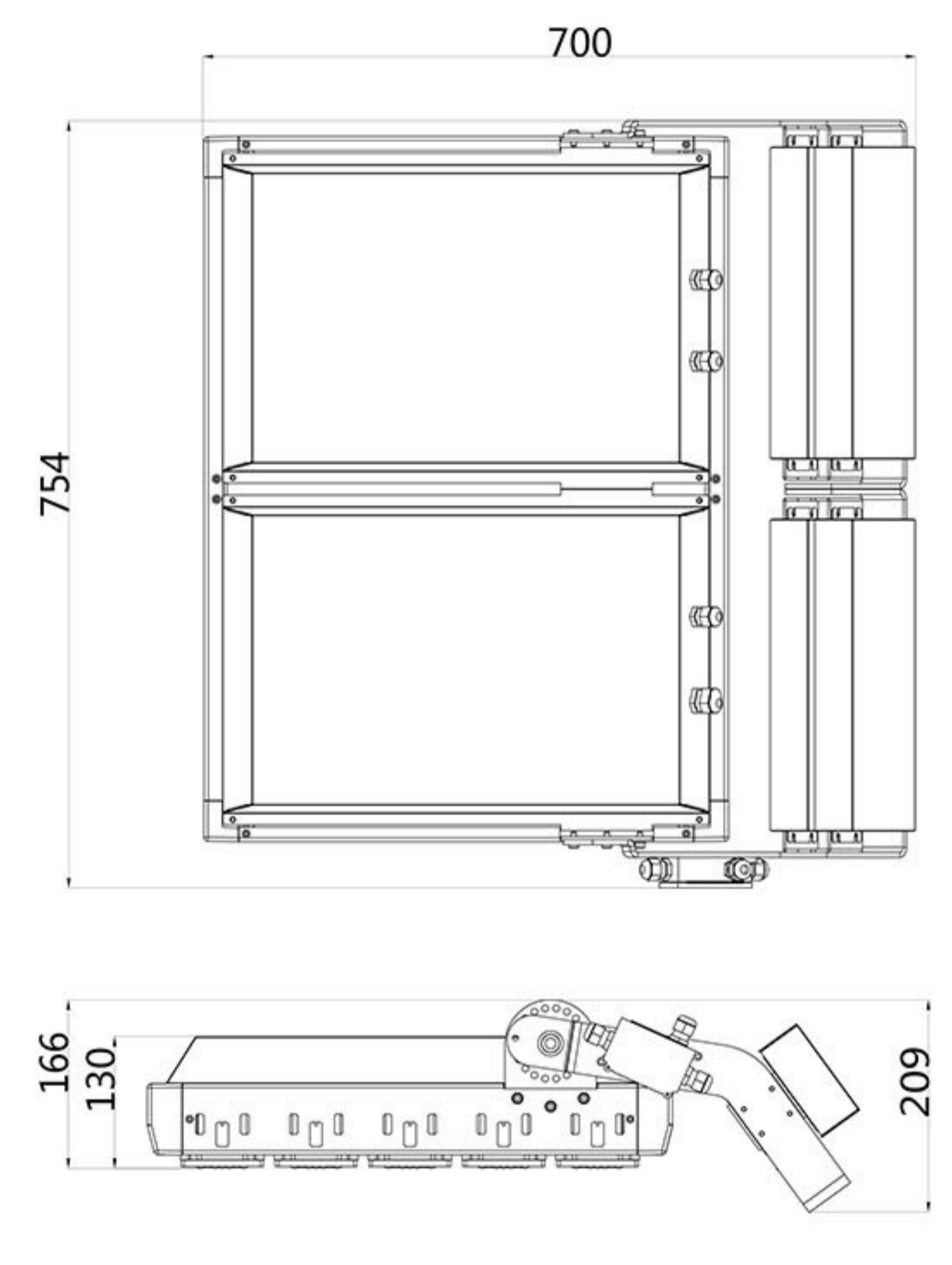
**BSTG04R-D500 / 5 Modules**



**BSTG04R-D600 / 6 Modules**



**BSTG04R-D800 / 8 Modules**

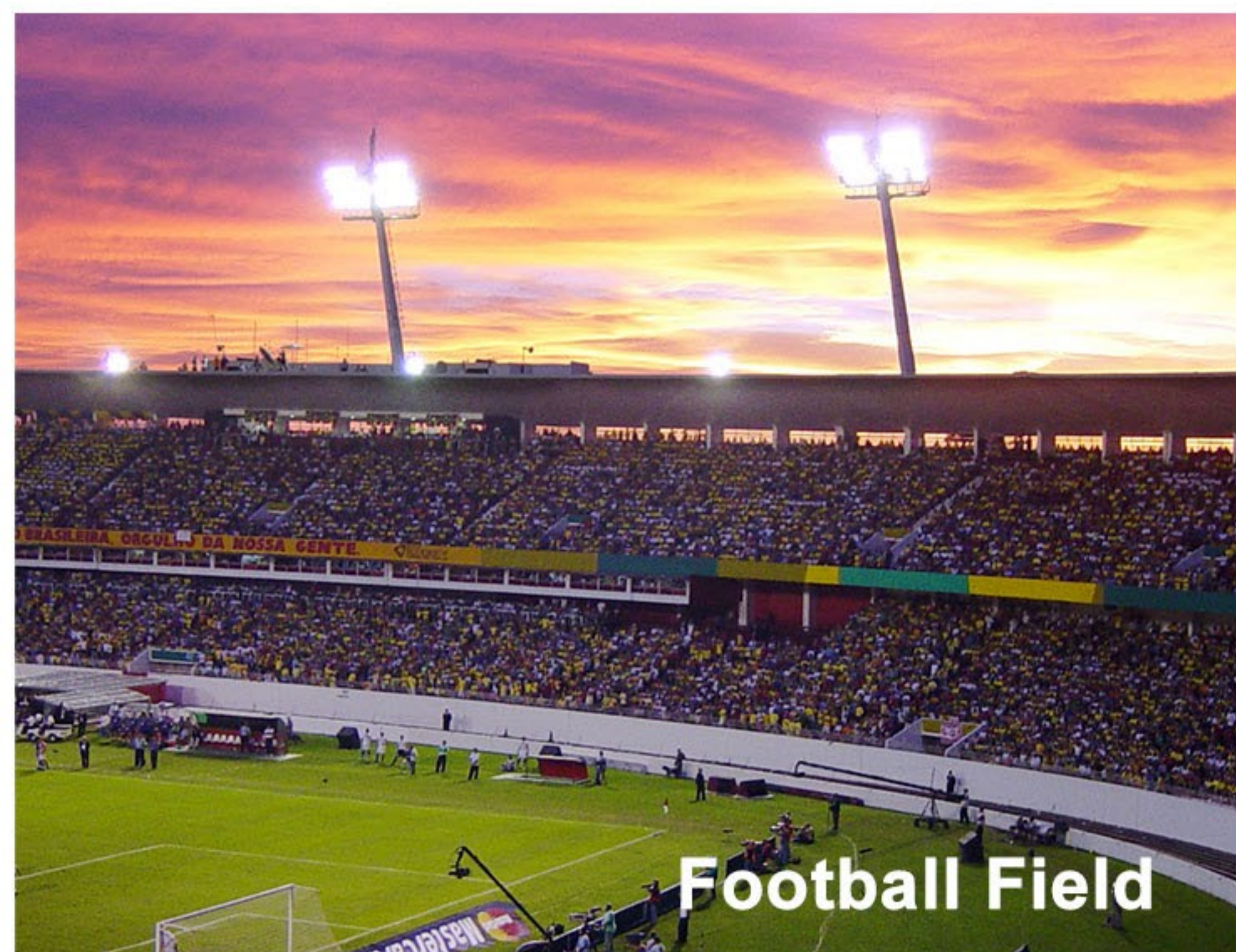


**BSTG04R-D1000 / 10 Modules**

(Unit:mm)

MODEL	BSTG04R-D300	BSTG04R-D400	BSTG04R-D500	BSTG04R-D600	BSTG04R-D800	BSTG04R-D1000
<b>Product Size</b>	516*388*209mm	608*388*209mm	700*388*209mm	516*754*209mm	608*754*209mm	700*754*209mm
<b>Packing Size</b>	600*480*230mm	690*480*230mm	780*480*230mm	815*600*230mm	815*690*230mm	815*780*230mm
<b>N.W.</b>	10.9kg	13.8kg	15.9kg	19.8kg	23.8kg	29.0kg
<b>G.W.</b>	12.8kg	16.0kg	18.2kg	21.3kg	26.4kg	31.2kg

# Application Scenes



Football Field



Golf Course



Tennis Court



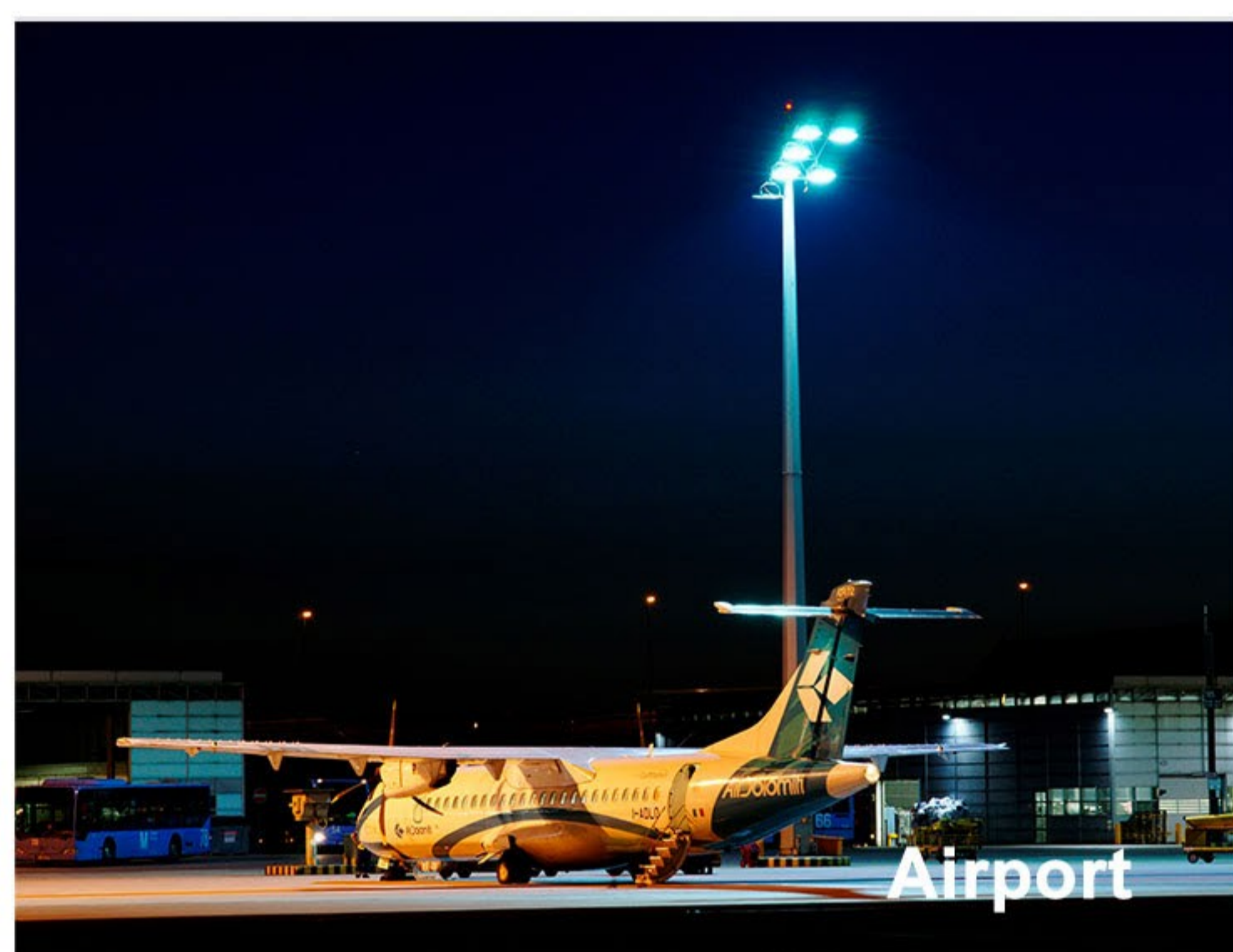
Square



Park



Crossroad



Airport



Train Station



Bus Station

Zhejiang Boshang Optoelectronic Co.,Ltd.

Add:Hezhuang Industrial Zone,Xiaoshan District,Hangzhou City,Zhejiang Province,China.

