



# UFO

## LED HIGH BAY LIGHT



# Function & Features

- ① High lumen efficiency LM80 approved Lumileds chip for maximum efficiency and long lifespan.



- ④ IP65 waterproof for indoor and outdoor use.



- ② Optics lens in 60DEG, 90DEG options with over 90% efficiency reduces light loss significantly.



- ⑤ Excellent thermal management system and heat radiation, enable the LEDs consistently work cooler, providing significant boosts to lifetime and efficacy.



- ③ Patented compact heat sink design, stable product performance.



- ⑦ Build-in driver. 4KV surge protection, with OVP, OTP, OCP and LVP protection. Add a SPD can meet 10KV. 0-10V dimming is also available.



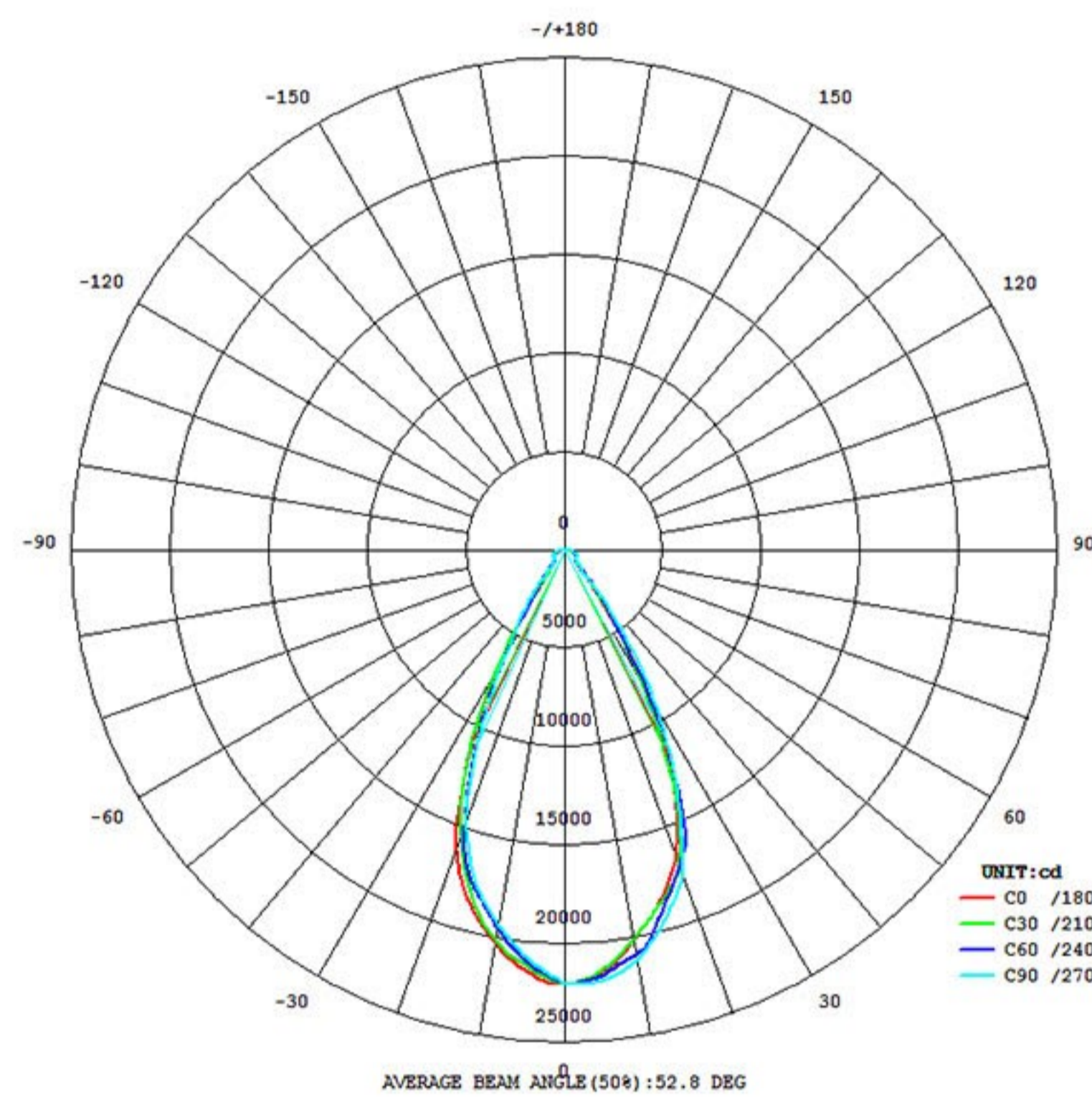
- ⑥ Support silver reflector.



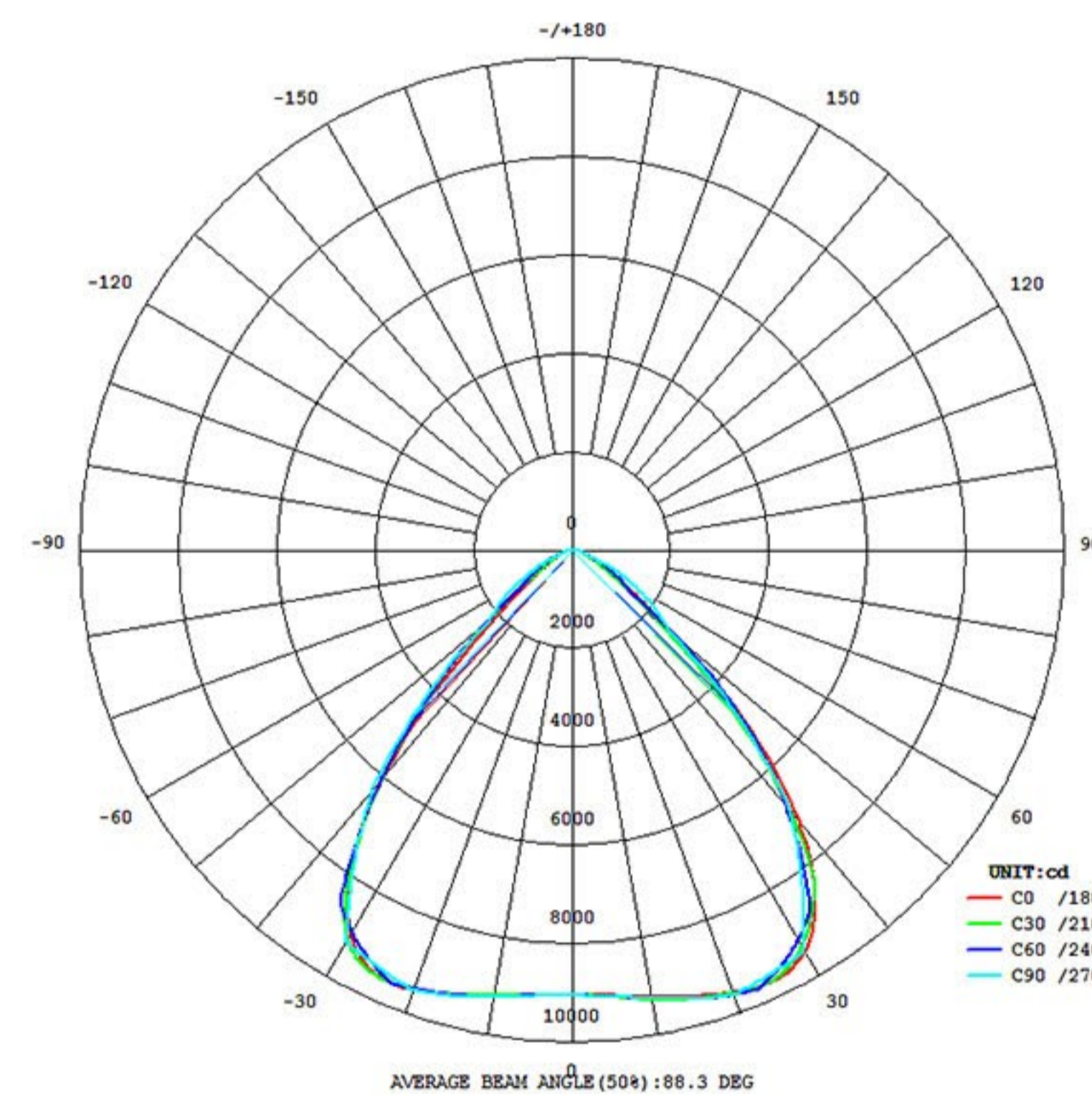
# Technical Parameters

Model No.	BSGK80Z-FXS	BSGK100Z-FXS	BSGK120Z-FXS	BSGK150Z-FXS	BSGK180Z-FXS	BSGK200Z-FXS
Watts	80W	100W	120W	150W	180W	200W
Input Voltage	AC90~135V/AC180~265V 50/60Hz					
Power Factor	0.99					
LED Brand	Lumileds					
Luminaire Efficacy	130lm/W					
CCT	3000K / 4000K / 5000K / 5700K / 6500K					
CRI	75±5					
Working Environment	-40°C ~ 65°C					
Life Span	>50000hrs					
IP Rating	IP65					
HID Equivalent	150W	250W	250-400W	250-400W	400-600W	400-600W

## Beam Angle

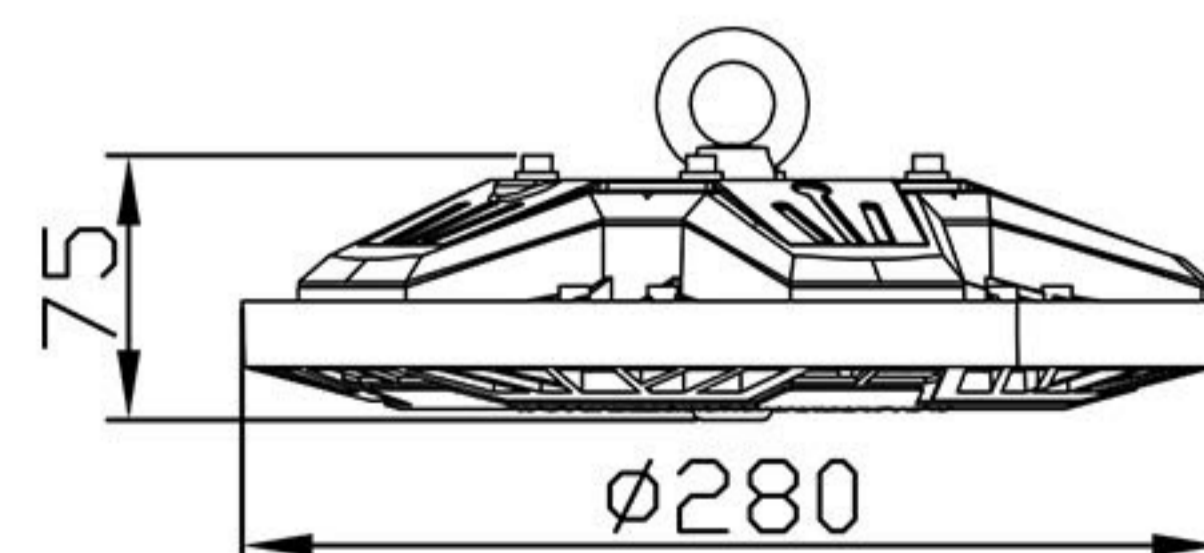
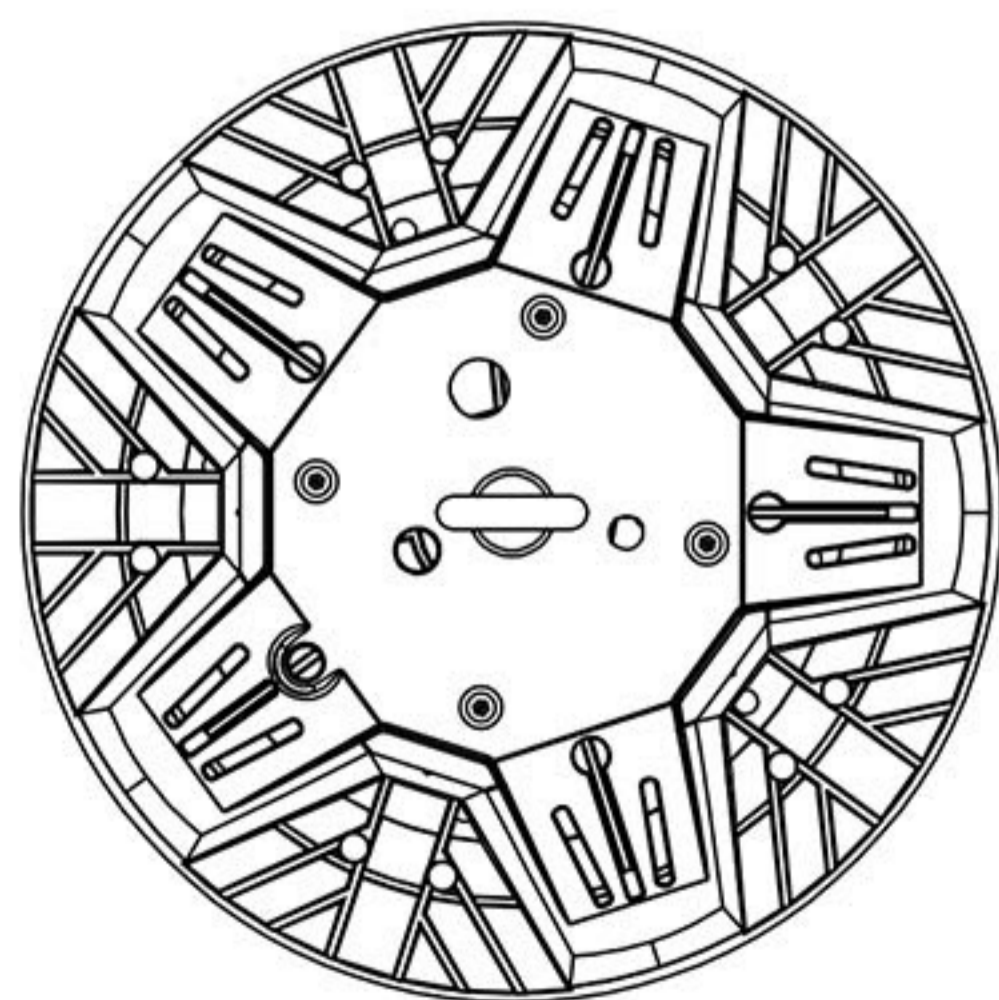
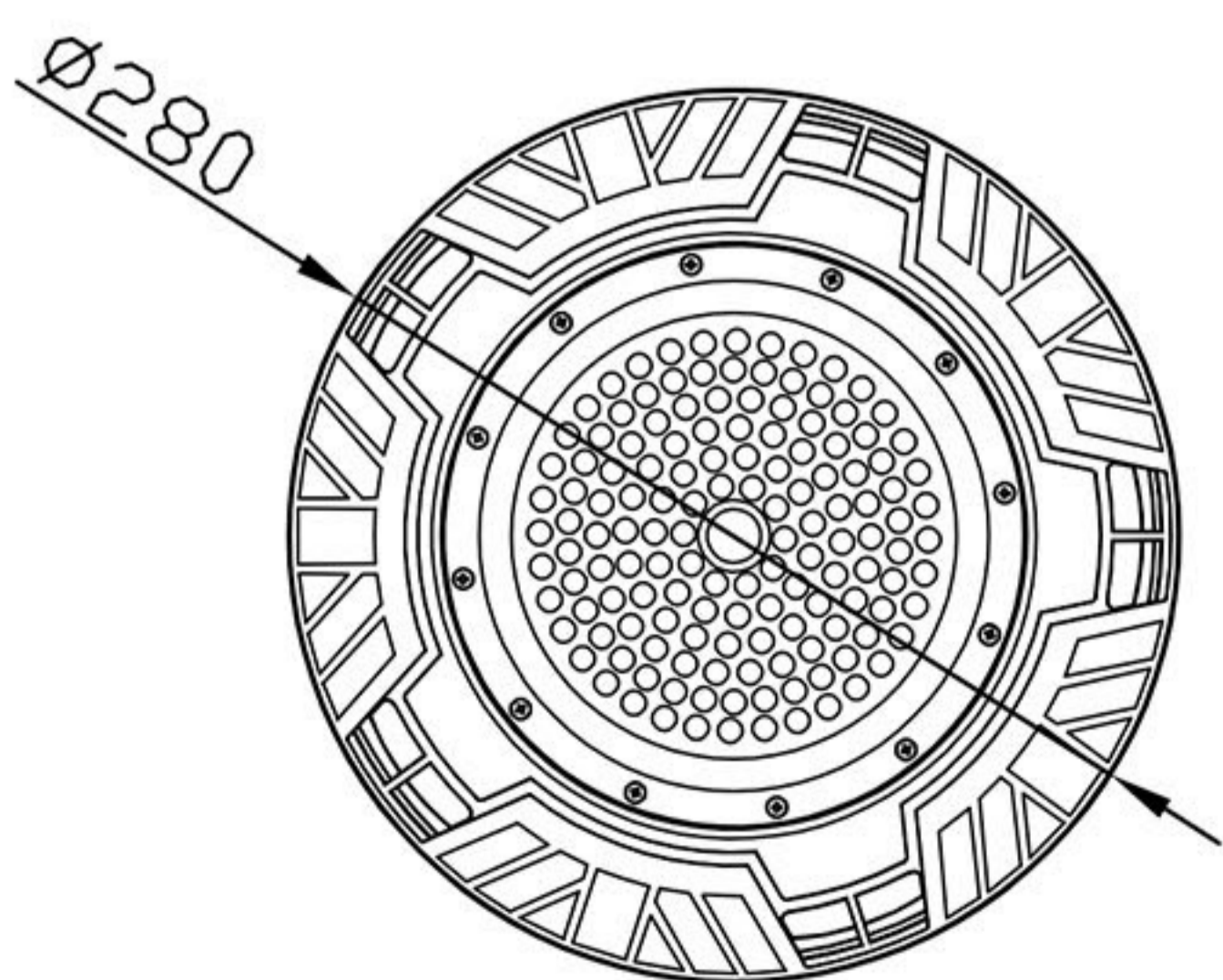


60°

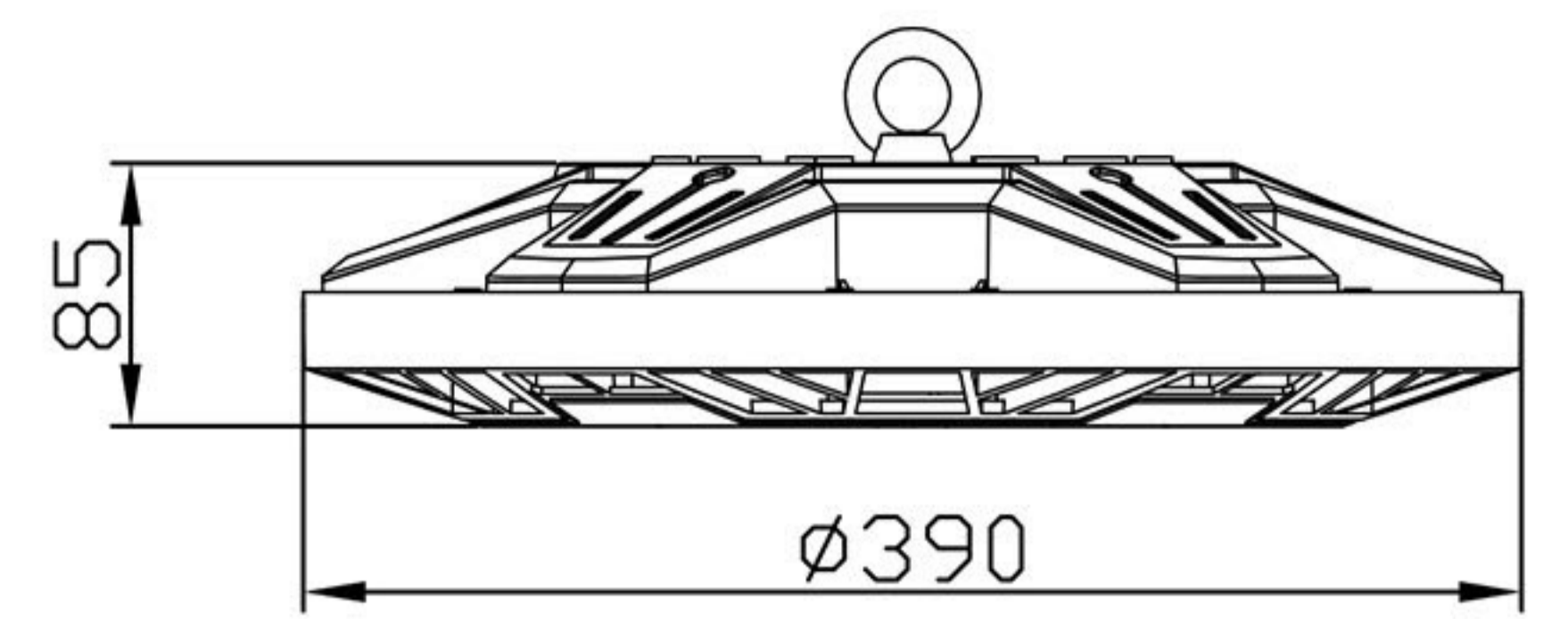
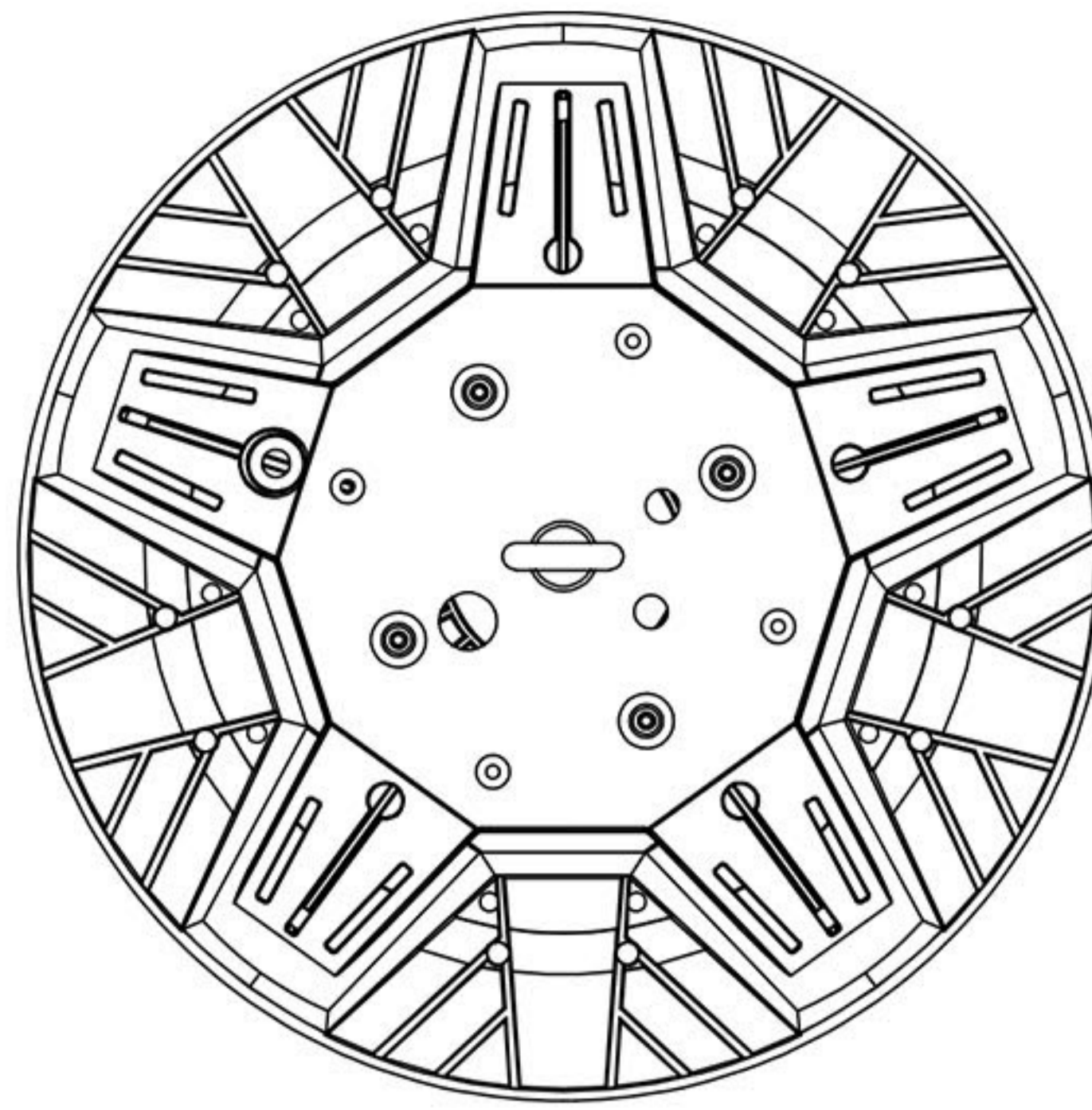
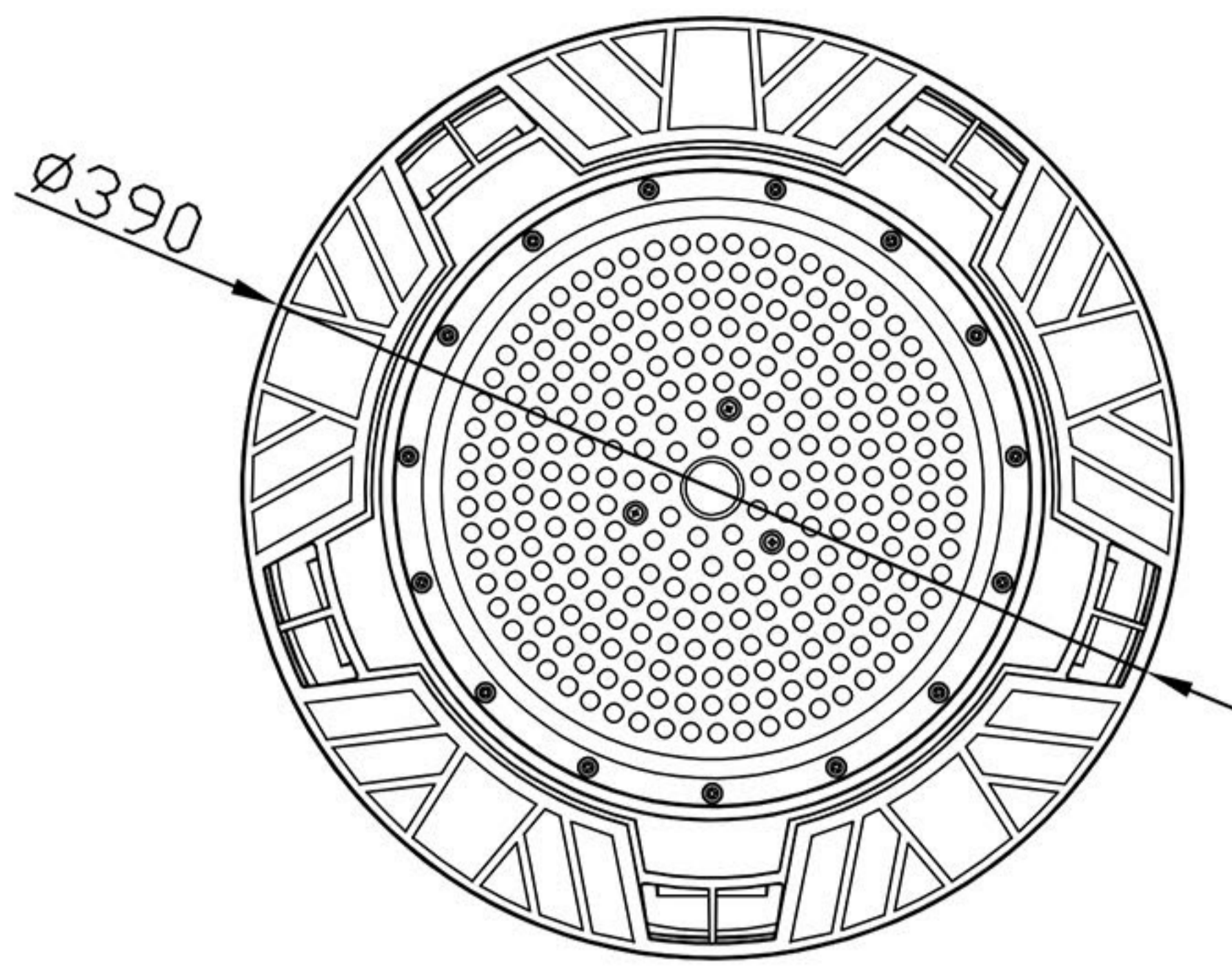


90°

## Product Size



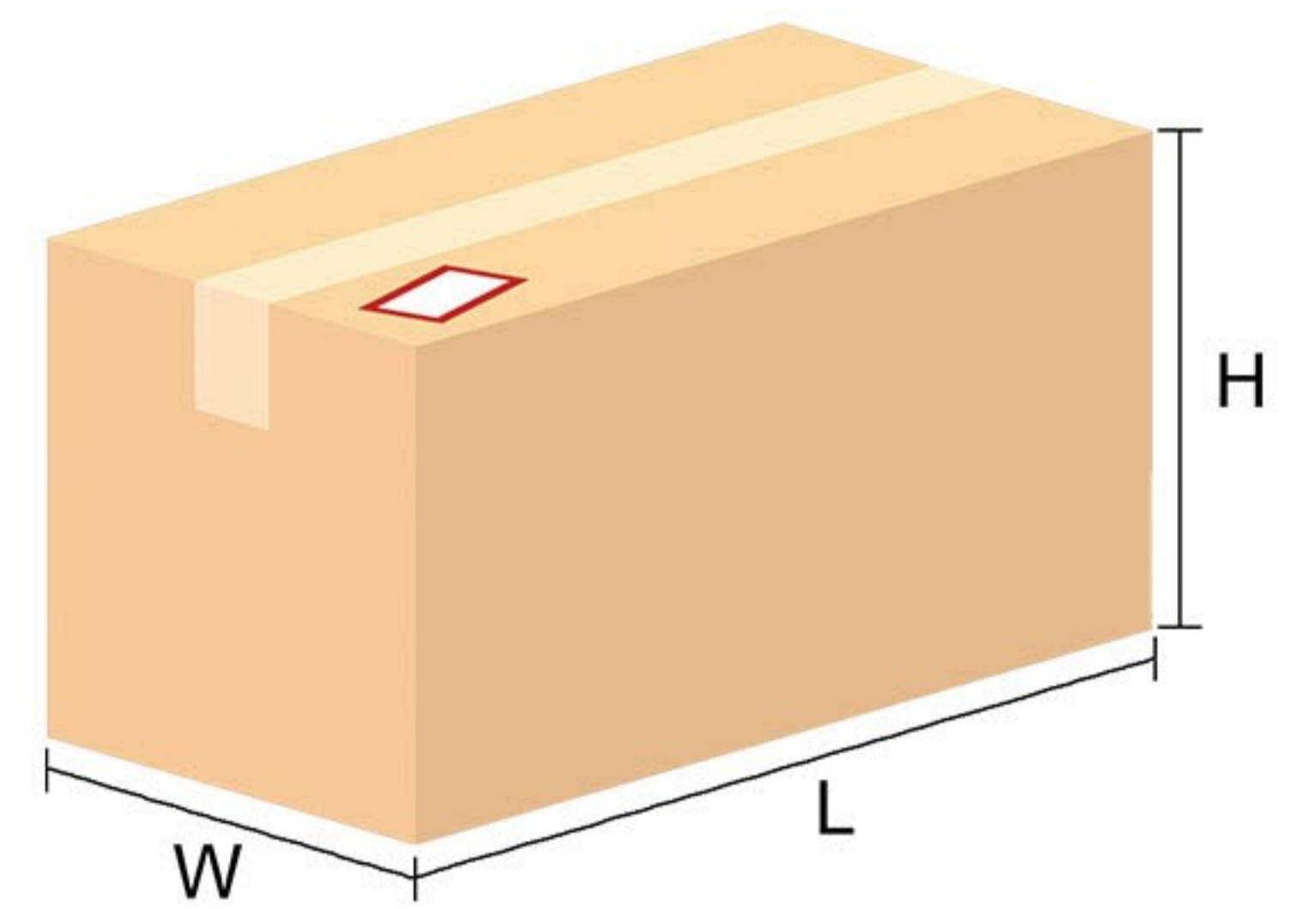
BSGK80Z-FXS  
BSGK100Z-FXS  
BSGK120Z-FXS



BSGK150Z-FXS  
BSGK180Z-FXS  
BSGK200Z-FXS

## Packing Data

Model No.	Dimension	Packing info.(L*H*W)	N.W.	G.W.
BSGK80Z-FXS BSGK100Z-FXS BSGK120Z-FXS	Φ280*75mm	300*300*160mm	2.0kg	3.0kg
BSGK150Z-FXS BSGK180Z-FXS BSGK200Z-FXS	Φ390*85mm	410*410*180mm	4.0kg	5.0kg



## Mounting Options

### 1 Hook Mounted



### 2 Pipe Mounted



### 3 Ceiling Mounted

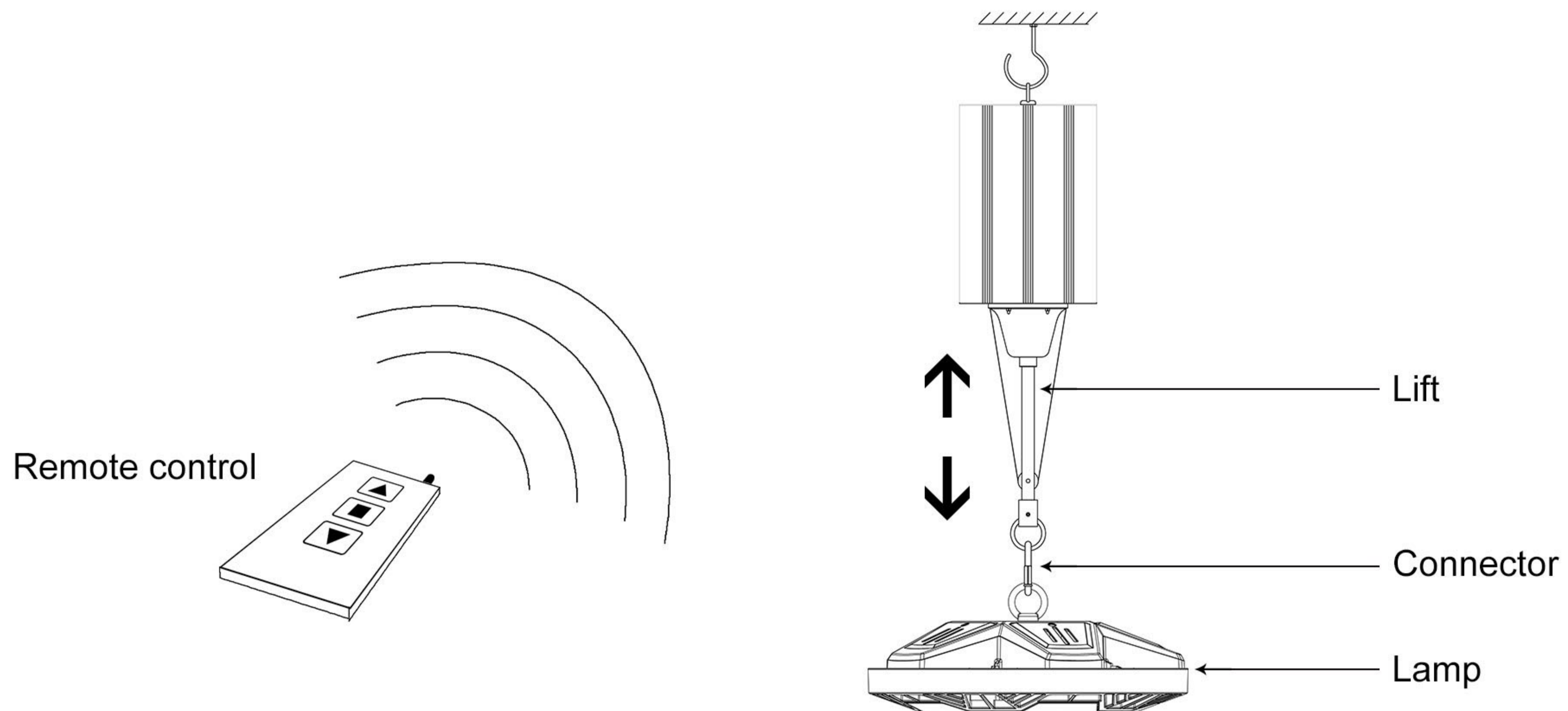


### 4 Wall Mounted



# Installation—Lifting System

Lighting lifting system for adjusting the height of the lamp with the wireless remote to control the lighting up and down, easy to install lighting, cleaning and maintenance. Make the operation more convenience and security much better. Wireless remote controller with the ability of long-distance operation, anti-interference and others. Up to 13 lifts can be controlled by a handheld controller.



## Application Scenes

Used in factory workshop, gas station, indoor stadium, exhibition hall, train station waiting room, library, logistics warehouse, cold storage and other types of occasions.



Factory Workshop



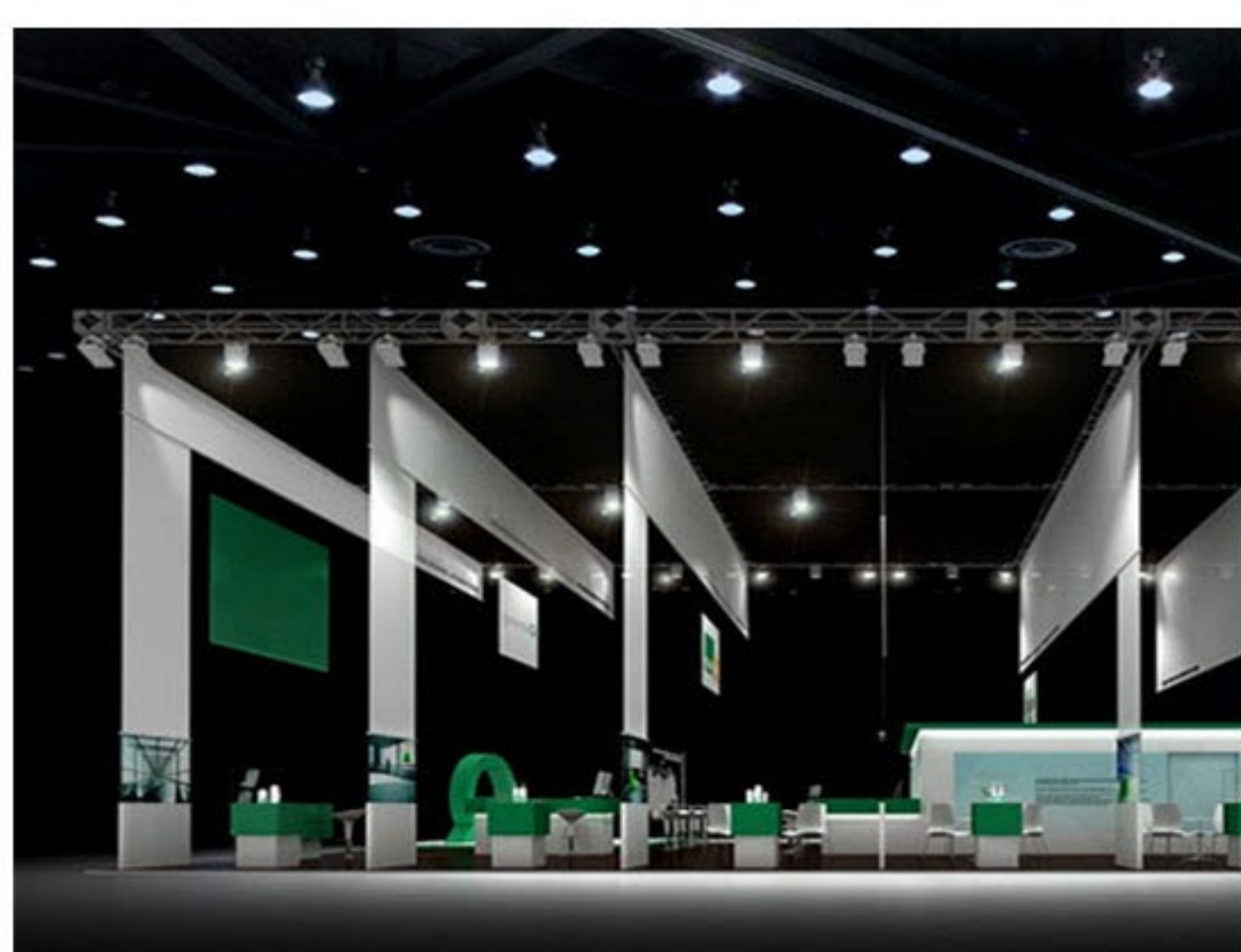
Gas Station



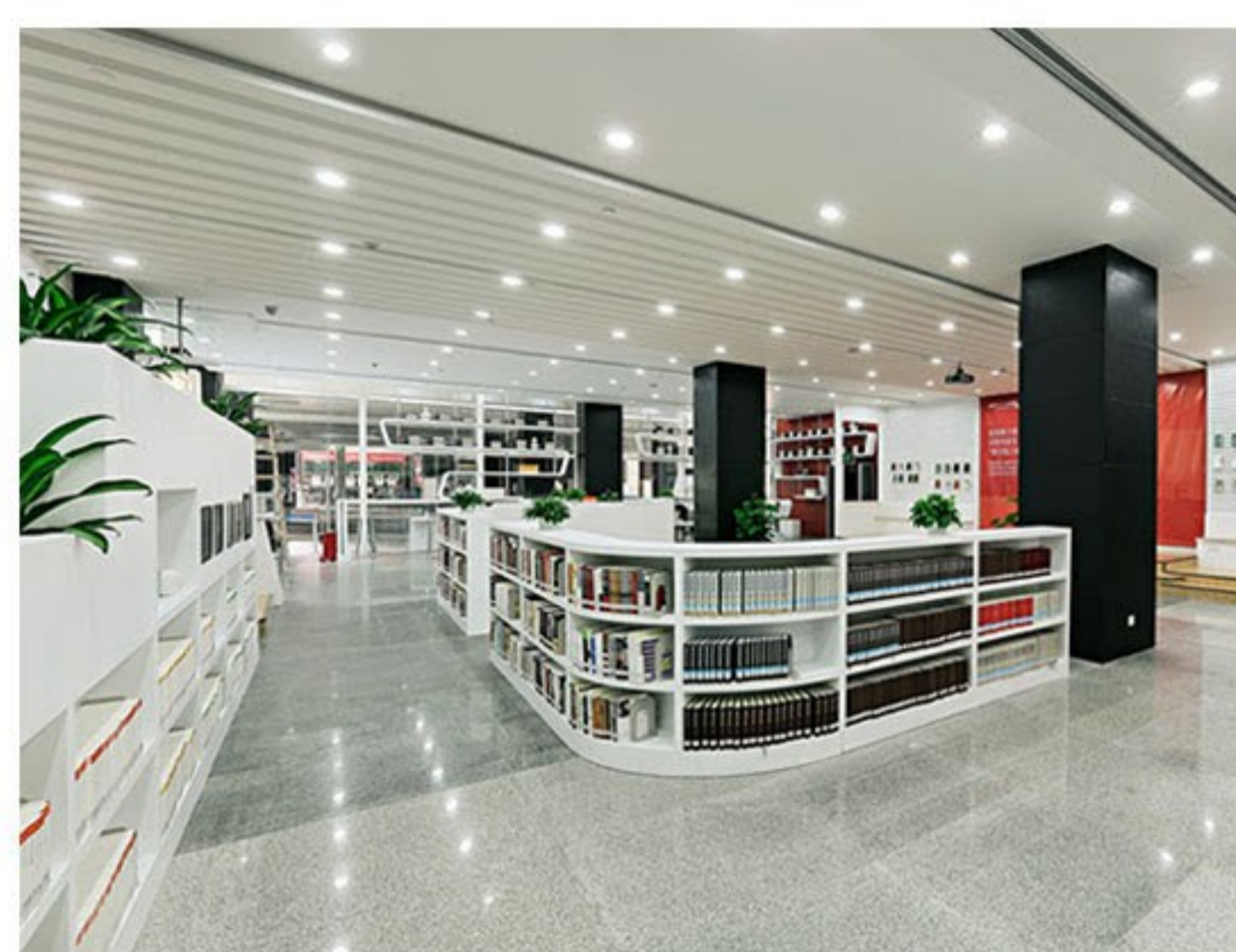
Indoor Stadium



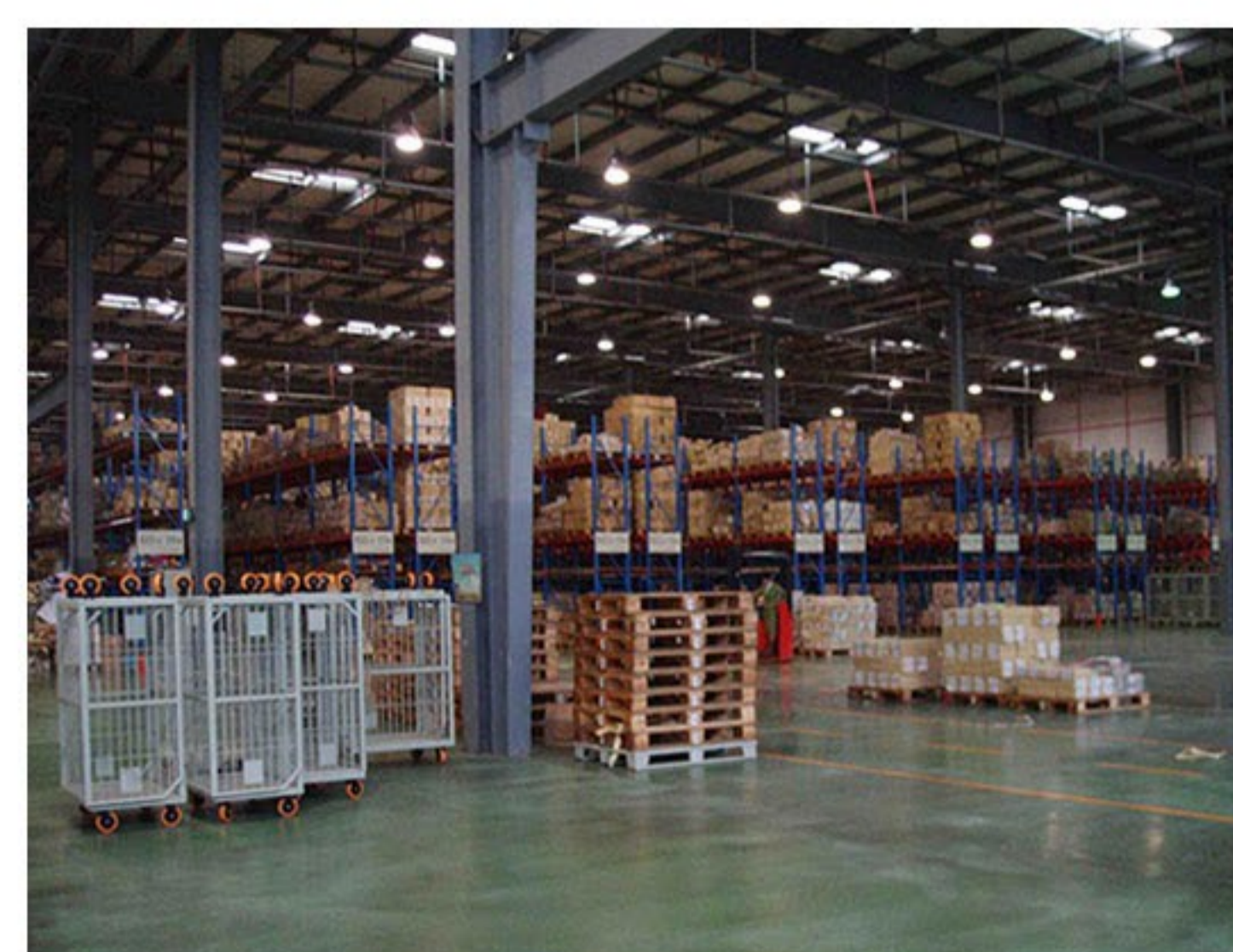
Waiting Room



Exhibition Hall



Library



Warehouse



Cold Storage

Zhejiang Boshang Optoelectronic Co.,Ltd.

Add:Hezhuang Industrial Zone,Xiaoshan District, Hangzhou City,Zhejiang Province,China.

