



LED HIGH BAY LIGHT

3 YEAR
WARRANTY

LUMILEDS

X6 SAA

CE

RoHS

CB

IP44

IK10

Function & Features

01

With high quality BOPIN **LED driver**, perfect performance, long lifespan, power factor >0.95.

02

Aluminum fins convector with tensile aluminum thermal conductivity & excellent cooling treatment, which can extend the life-span of drivers & LED chips.

03

With transparent **PC lens**, light transmittance >95%.



04

Aluminum reflecting cover,

2 options.

with satin cover and diffusing cover,
with different beam angles.

with oxidation treatment on surface,
anti-rust and never fading.

05

With Lumileds 3030 **LED chips**

to maximum the lumen output.

With stable lighting & low decay.

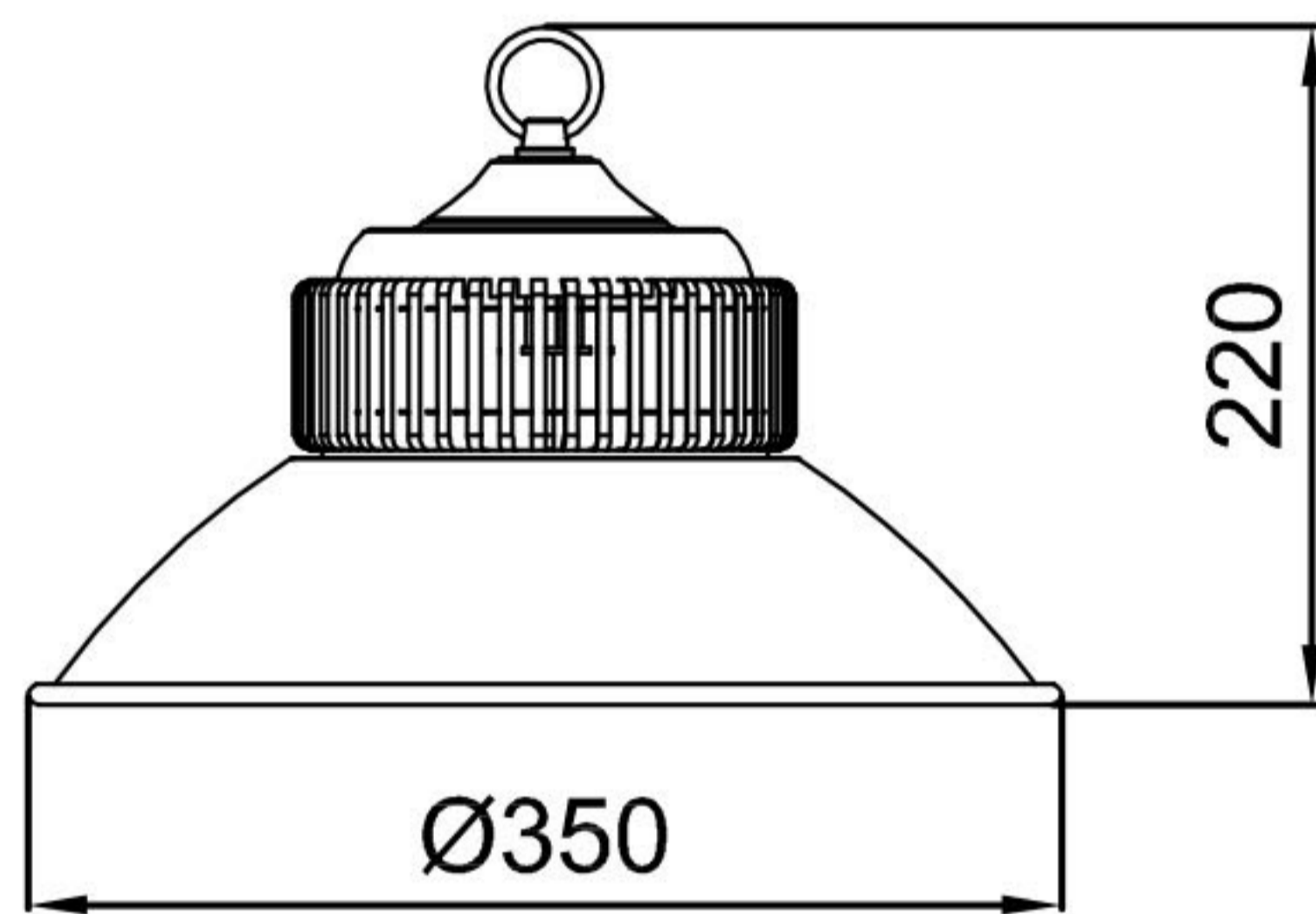
With long life-span over 50000Hrs.



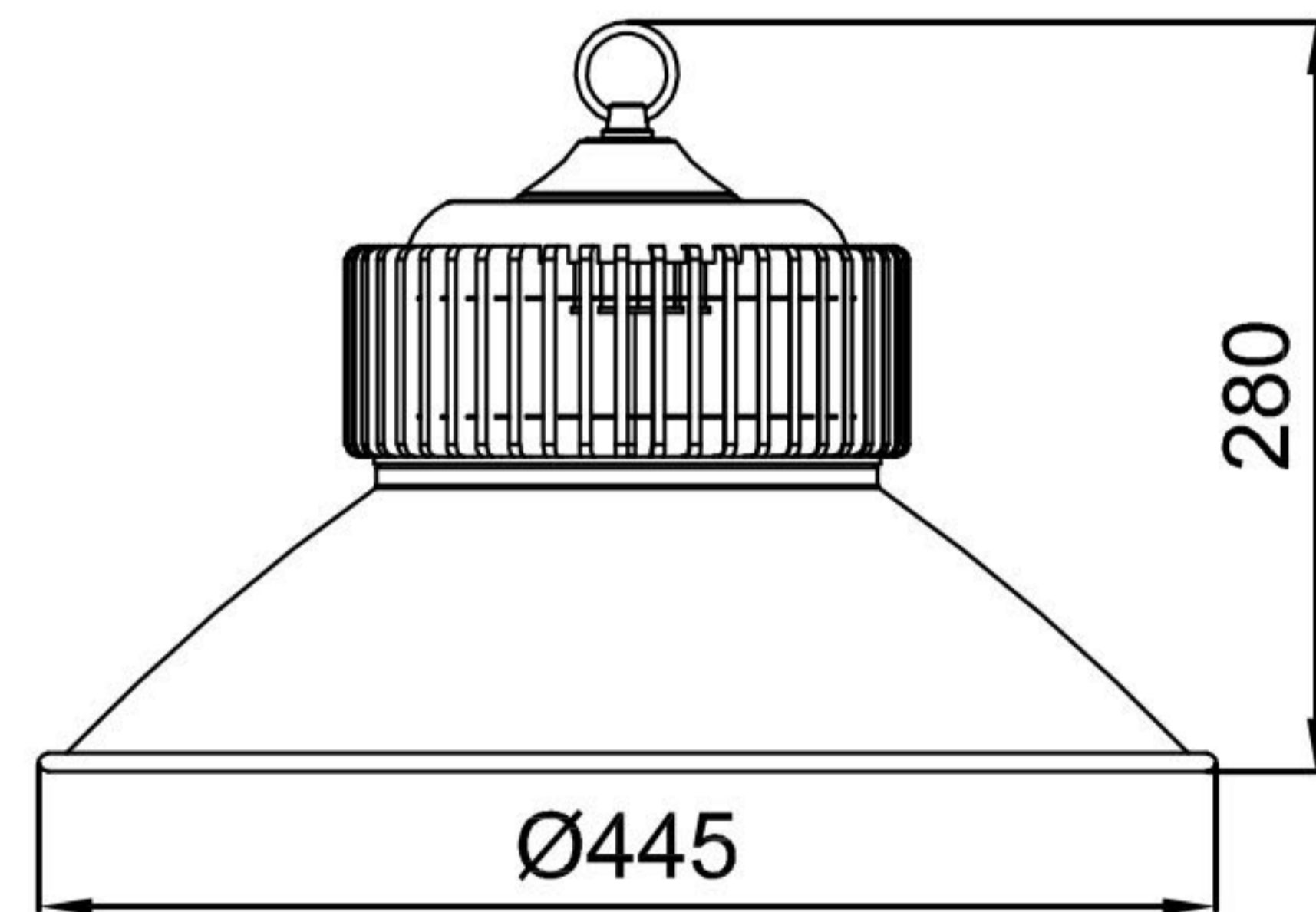
Technical Parameters

Model No.	BSGK50Z-F3Z	BSGK100Z-F3Z	BSGK150Z-F3Z	BSGK200Z-F3Z
Wattage	50W	100W	150W	200W
Input Voltage	AC100V~305V 50/60Hz			
Power Factor	>0.95			
LED Brand	Lumileds			
Luminaire Efficacy	>100lm/W			
CCT	3000K / 4000K / 5000K / 5700K / 6500K			
CRI	75±5			
Working Environment	-40°C ~ 65°C			
Life Span	>50000hrs			
IP Rating	IP44	IP44	IP44	IP44
HID Equivalent	100W	200W	300W	400W

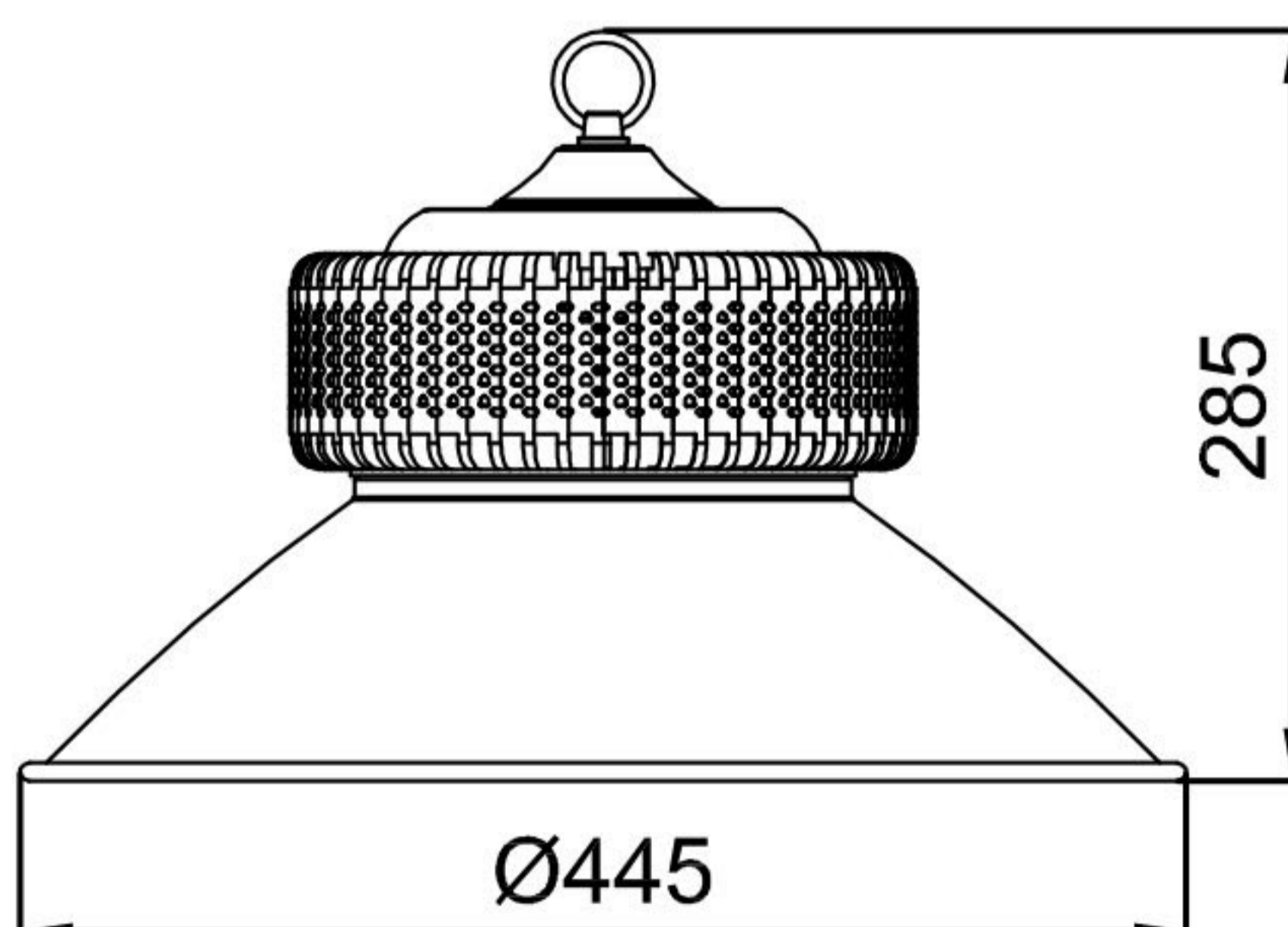
Product Size



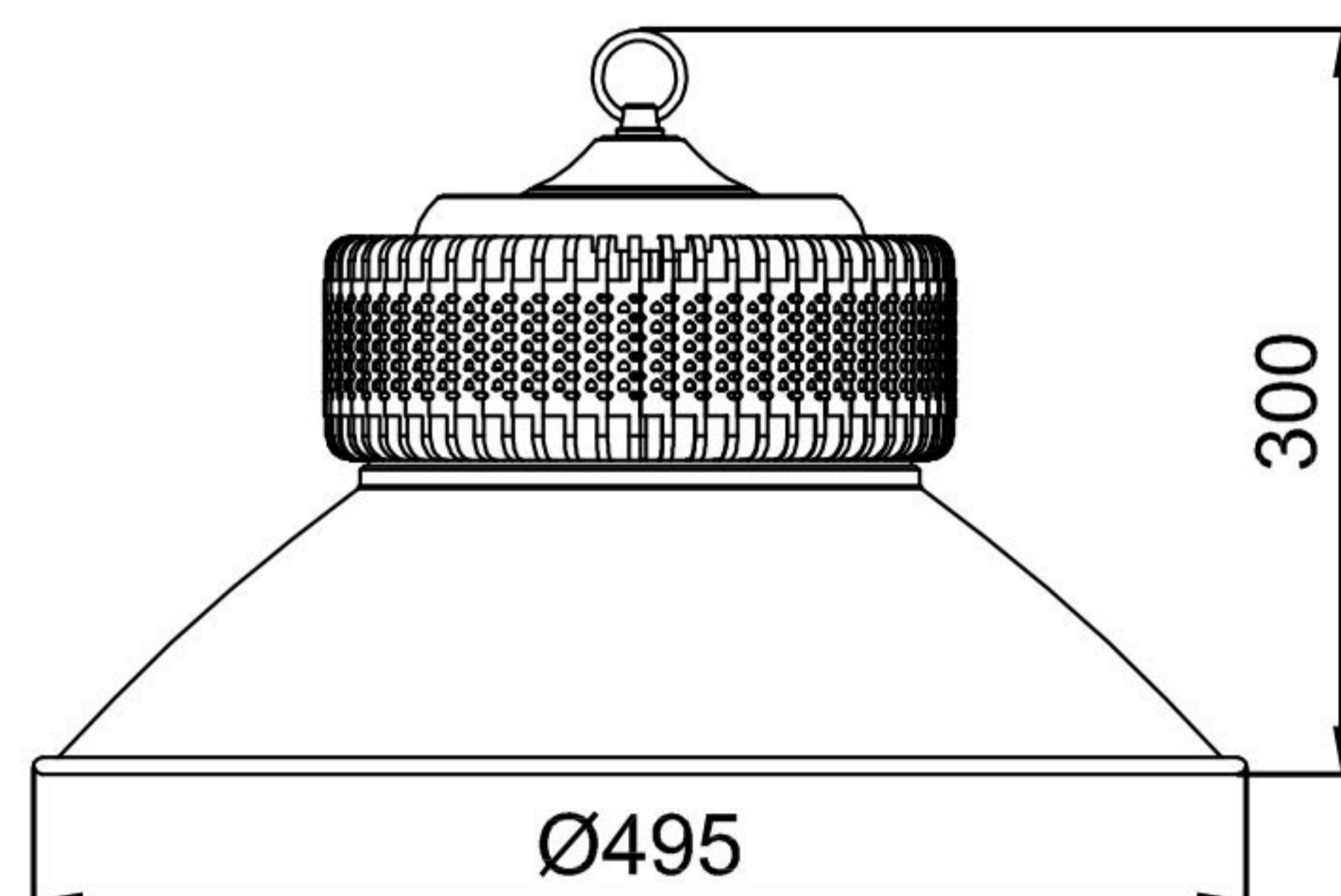
BSGK50Z-F3Z
50W



BSGK100Z-F3Z
100W



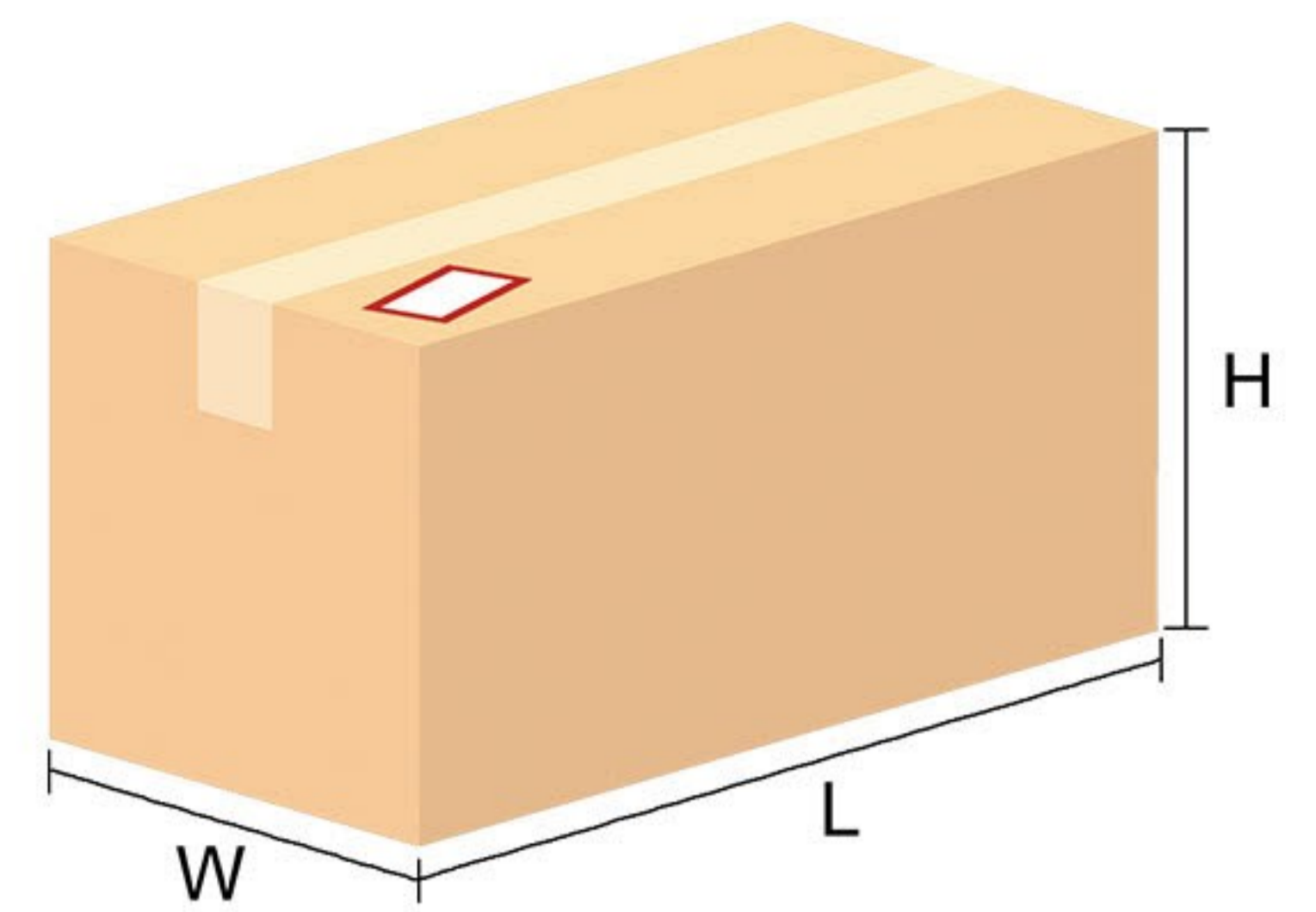
BSGK150Z-F3Z
150W



BSGK200Z-F3Z
200W

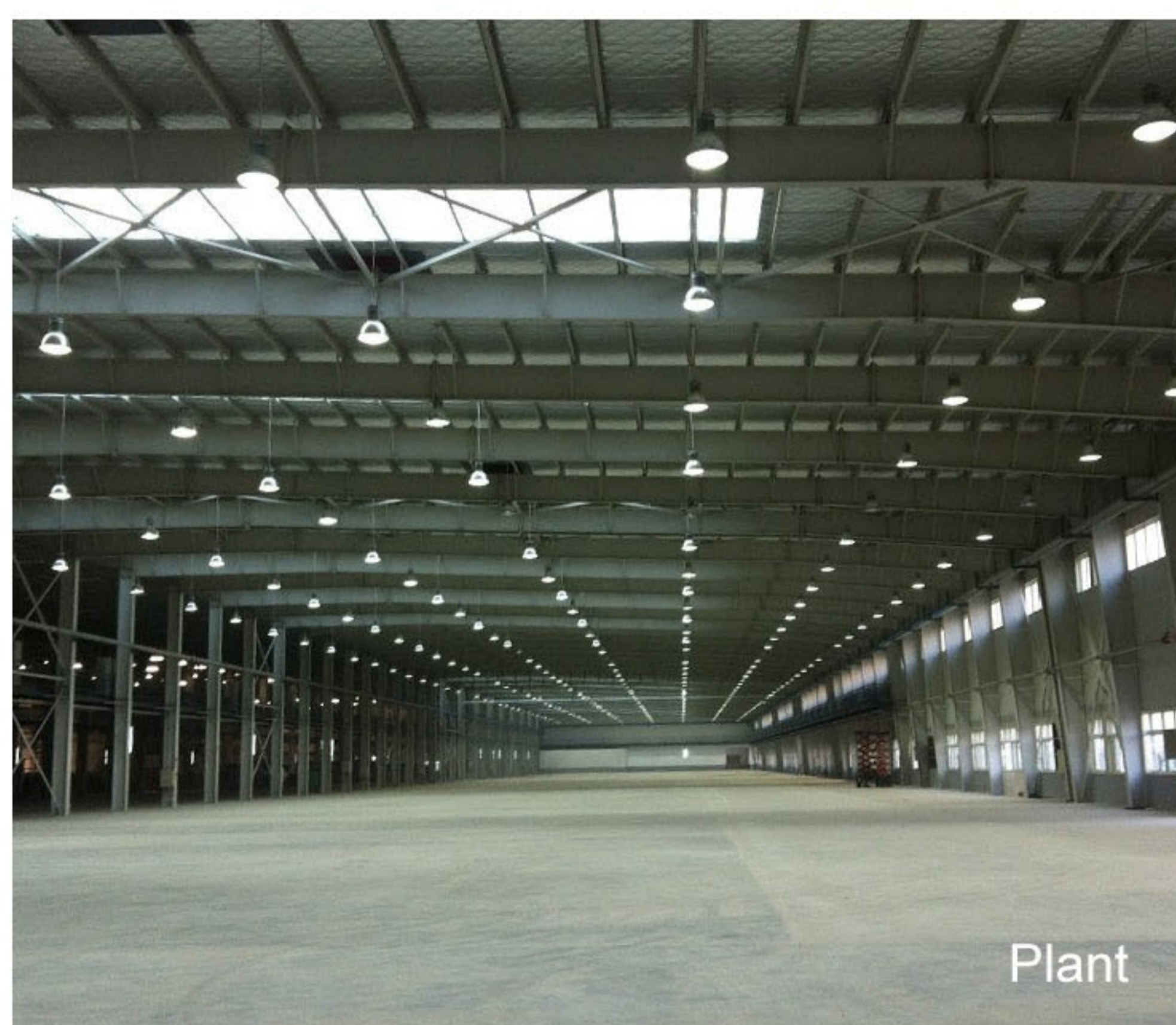
Packing Data

Model No.	BSGK50Z-F3Z	BSGK100Z-F3Z	BSGK150Z-F3Z	BSGK200Z-F3Z
Lamp Size	Φ350*220mm	Φ445*280mm	Φ445*285mm	Φ495*300mm
Packing info. (Main Parts)	180*180*160mm	230*230*200mm	250*250*220mm	280*280*230mm
Packing info. (Reflector)	370*370*350mm /40PCS	470*470*450mm /40PCS	470*470*450mm /40PCS	520*520*475mm /40PCS
N.W.	1.5kg	2.0kg	3.0kg	4.0kg
G.W.	2.5kg	3.0kg	4.0kg	5.0kg



Application Scenes

General lighting for shipyard, mine, workshop, plant, warehouse lighting application, road toll station, gasoline station, large supermarket, exhibition, stadium, etc.



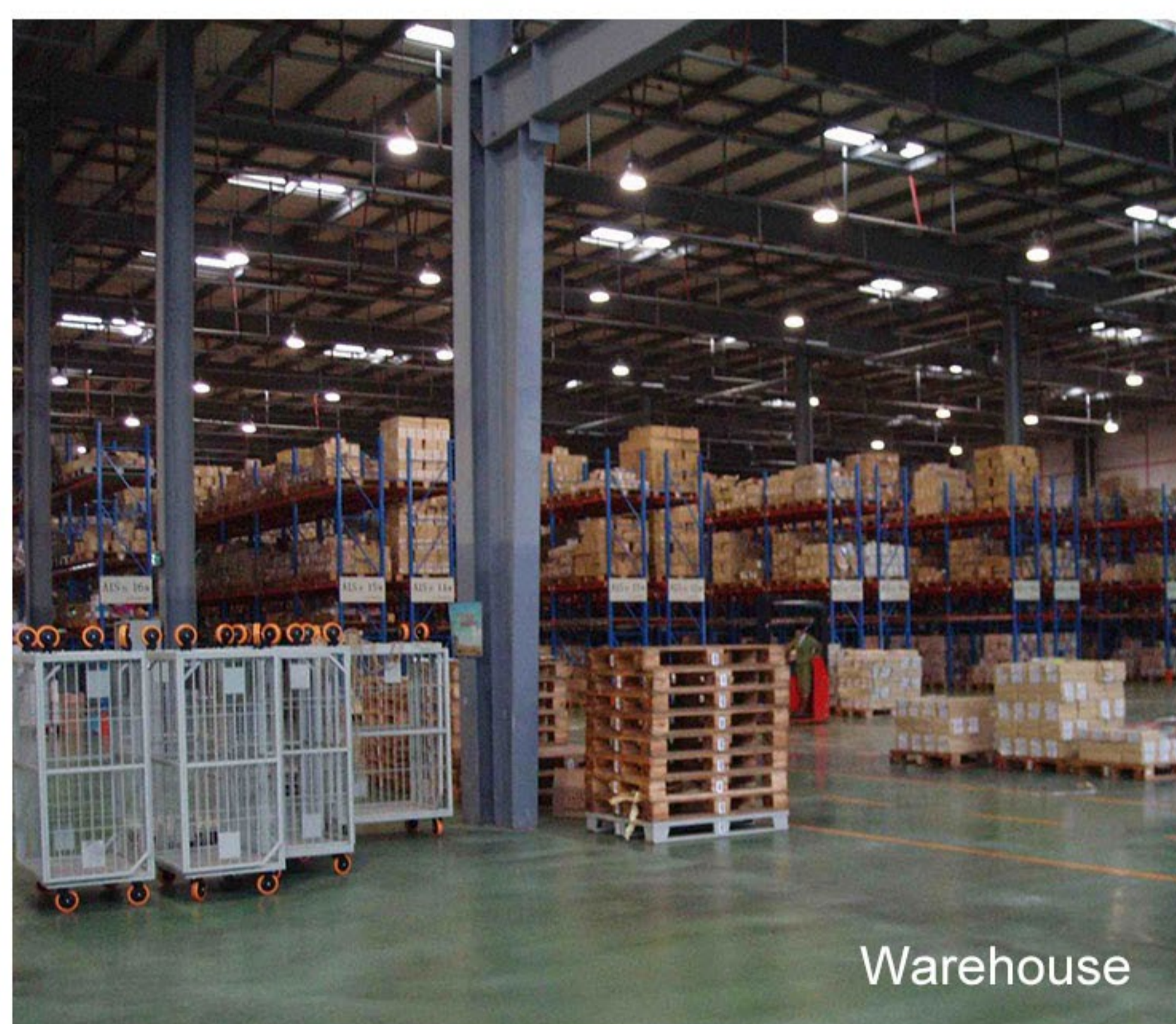
Plant



Workshop



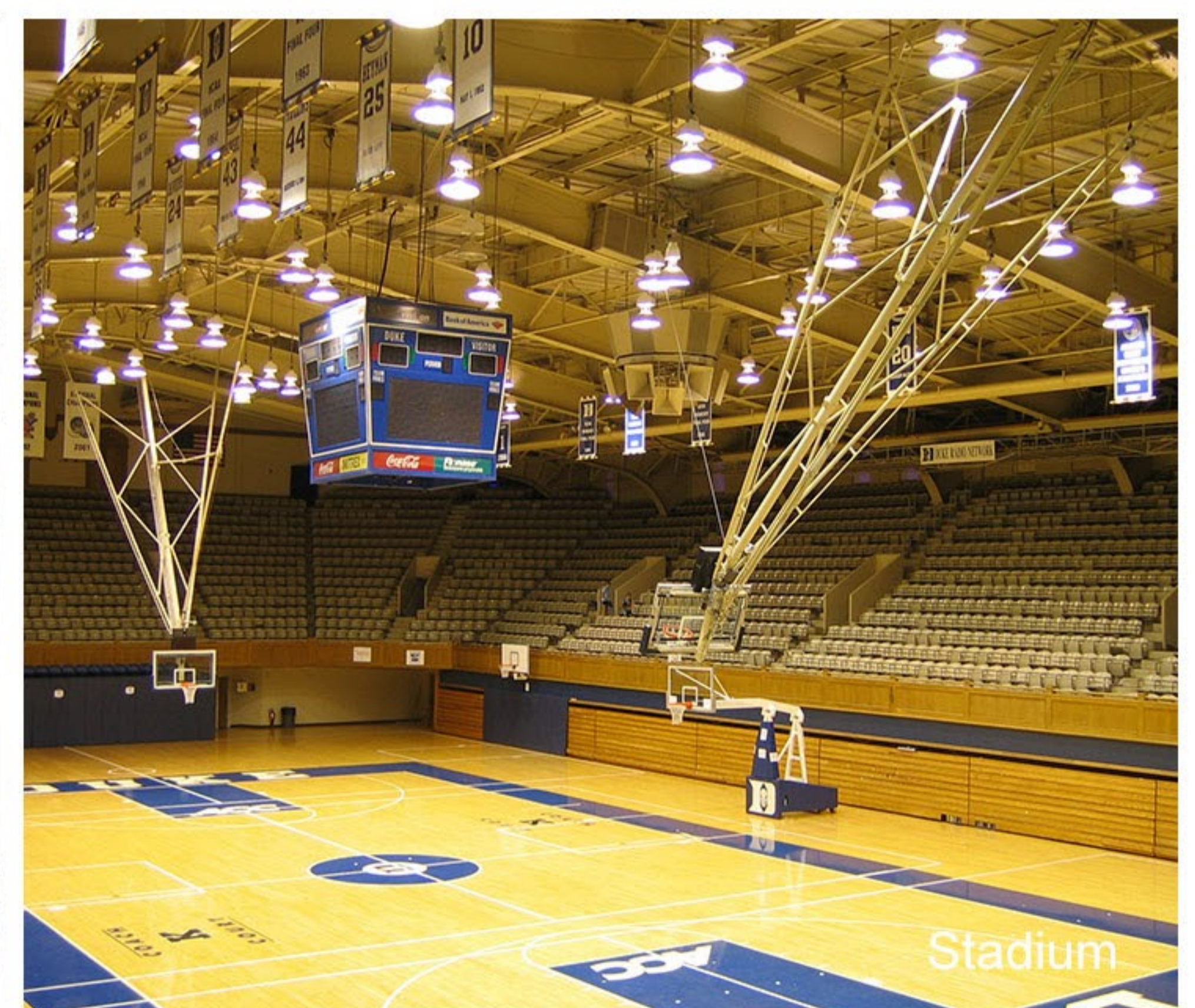
Gasoline Station



Warehouse



Exhibition



Stadium

Zhejiang Boshang Optoelectronic Co.,Ltd.

Add:Hezhuang Industrial Zone,Xiaoshan District, Hangzhou City,Zhejiang Province,China.

