



LED Flood Light



CE RoHS CB IP65 IK10

 Black  Grey



Function & Features

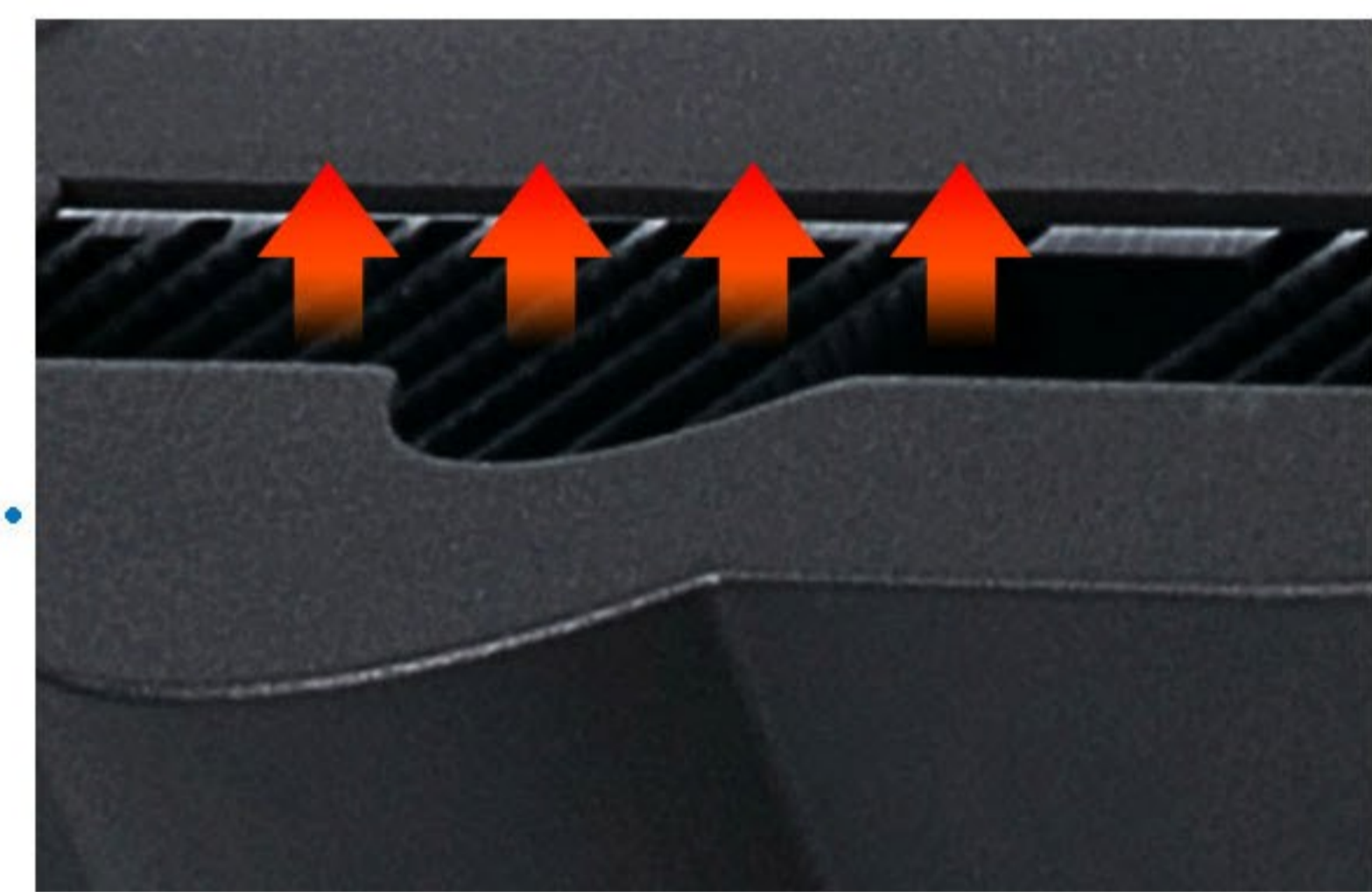


Optical Lens

Imported optical lens with high lighting transmittance, anti-UV materials, secondary light dissipation technology.

Adjusted Angle

The angle can be adjusted 180°, finished illumination angle freely changed. Stainless screws suitable for outdoor using, avoid damage of hard power pulling.



Heat Dissipation

Lamps heat dissipation radiators use tensile aluminum with high thermal conductivity, with rational heat distribution, thermal equilibrium.



Branded LED Driver

Can achieve intelligent lighting control and 6KV/10KV surge protection. Provide excellent performance and lifespan.

Modular Design

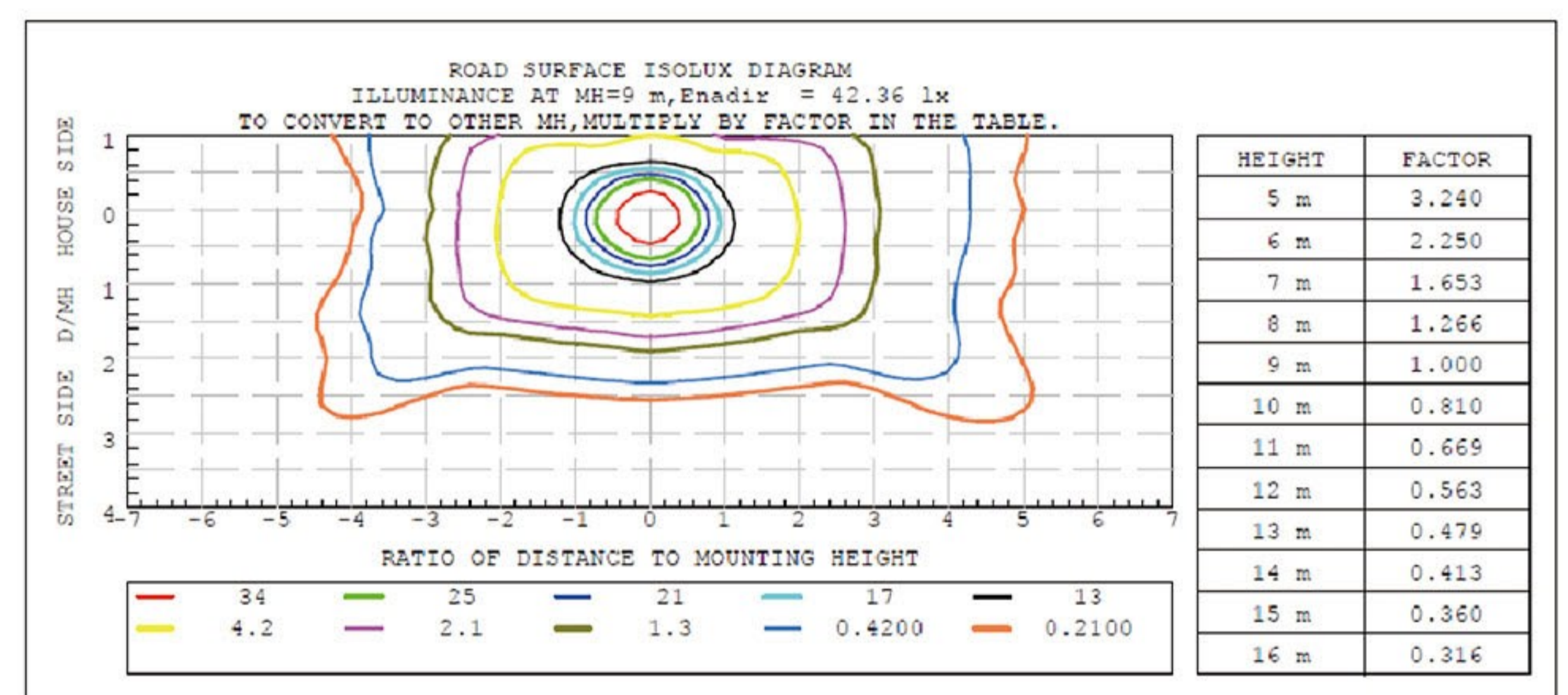
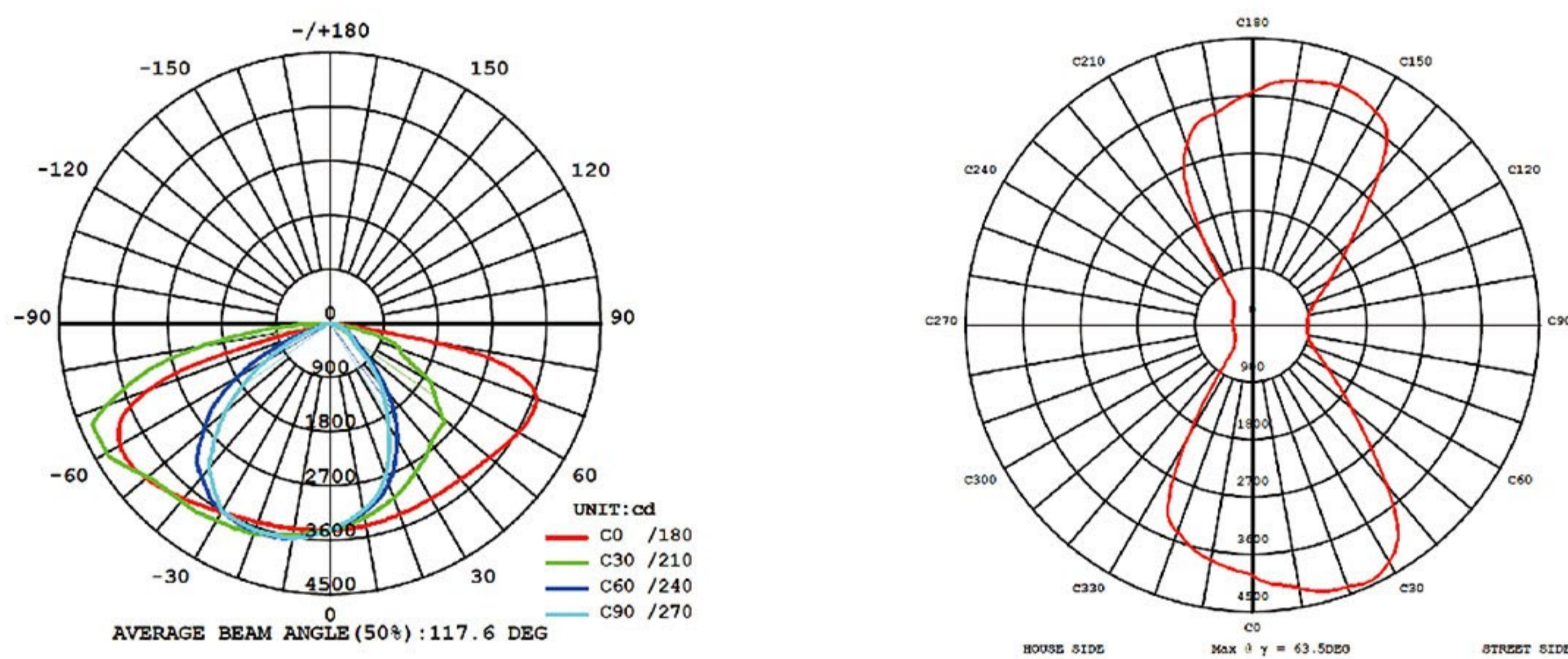
Lamps adopt modular design, both dust cover and modules are modular which can be easily for regular stock up, so that the demand for different customized specifications can be achieved.



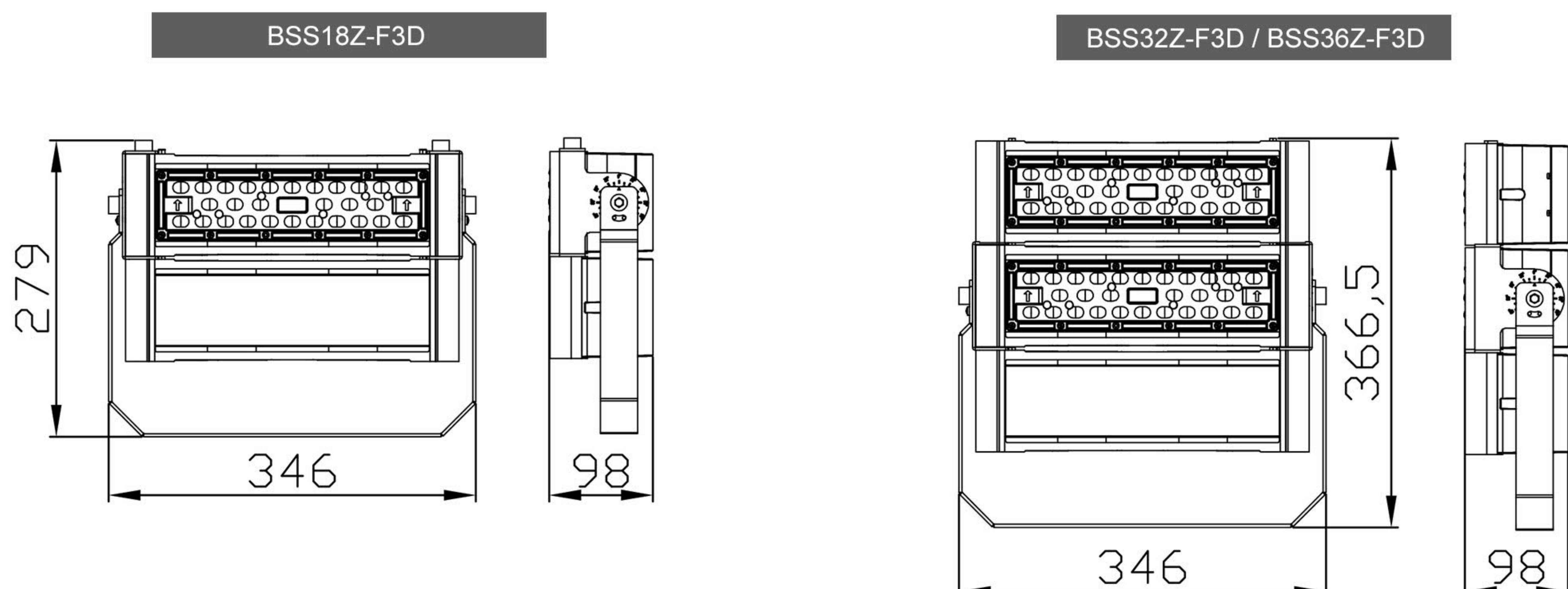
Technical Parameters

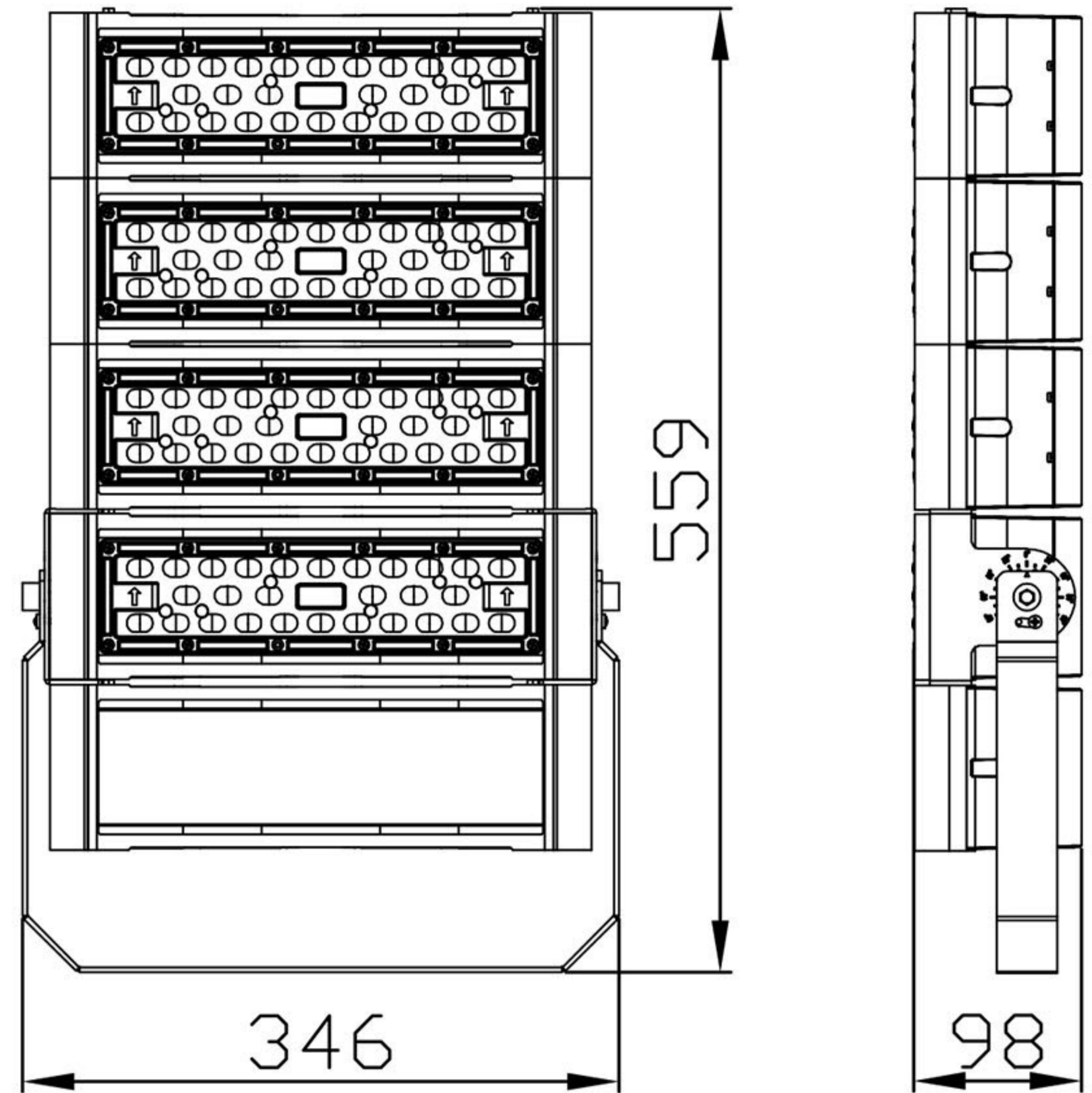
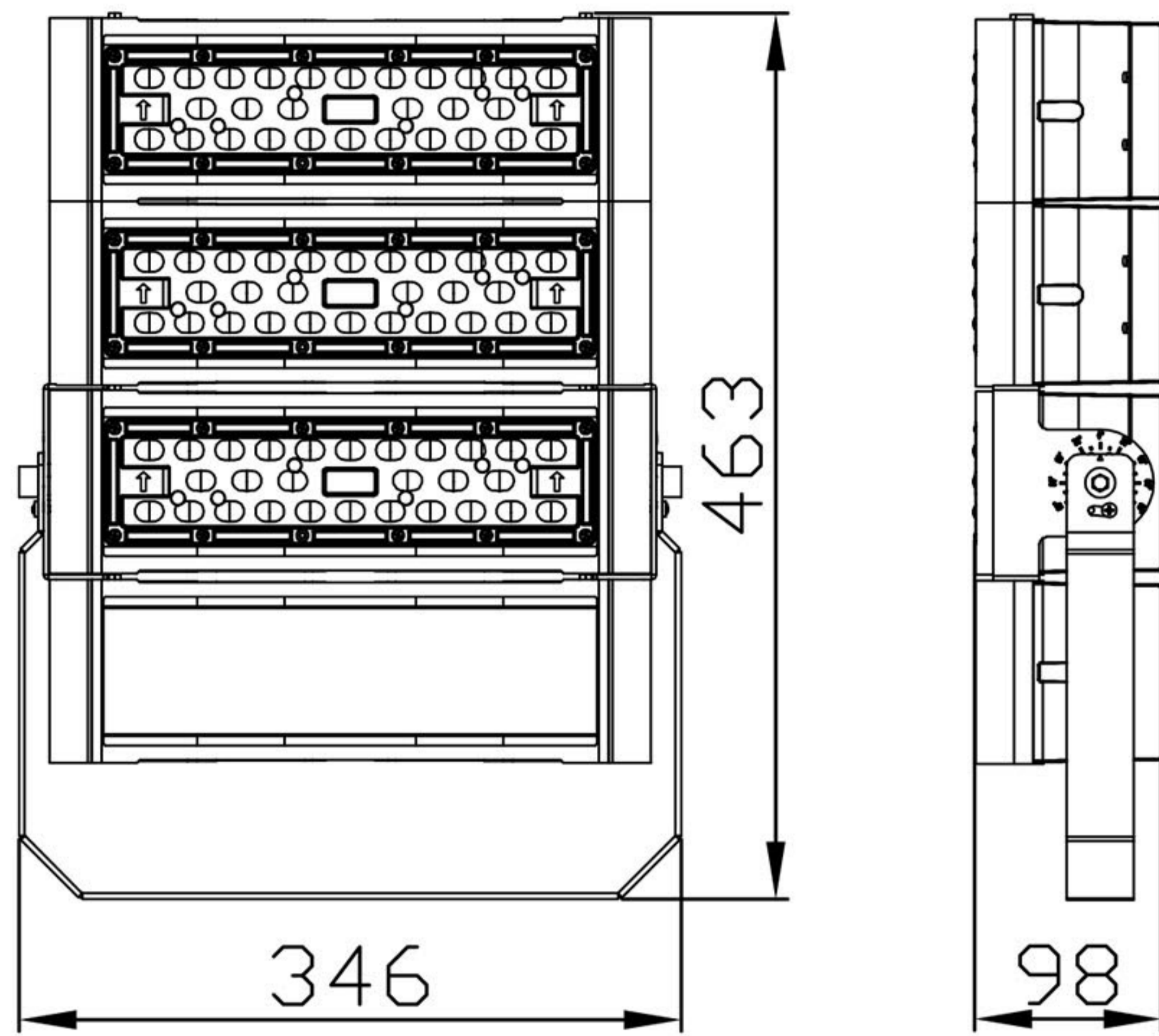
Model No.	BSS18Z-F3D	BSS32Z-F3D / BSS36Z-F3D	BSS48Z-F3D / BSS54Z-F3D	BSS64Z-F3D / BSS72Z-F3D
Nominal Wattage	60W	100W/120W	150W/180W	200W/240W
Input Voltage	AC100-305V 50/60Hz			
Operating Temperature	-40°C ~ 65°C			
Power Factor (P.F)	> 0.95			
Luminaire Efficacy (lm/W)	>120lm/W(3030 LEDs) / >150lm/W(5050LEDs)			
C.R.I	75±5			
C.C.T	3000K / 4000K / 5000K / 5700K / 6500K			
Rating	IP65,IK10			
Heat Radiator	Anodized Aluminum			
Luminaire Material	Die-casting Aluminum + PC			
Module Nos	1 module	2 modules	3 modules	4 modules
Replacement	150W HPS	250W HPS	250W / 400W HPS	400W HPS
Warranty	5 Years			

Distribution Curve



Product Size





(Unit:mm)

Model	Product Size(L*W*H)	Packing Size(L*W*H)	N.W.	G.W.
BSS18Z-F3D	346*279*98	450*360*170	3.1kg	4.0kg
BSS32Z-F3D	366.5*346*98	540*360*170	5.0kg	6.2kg
BSS36Z-F3D	366.5*346*98	540*360*170	5.0kg	6.2kg
BSS48Z-F3D	463*346*98	640*360*170	6.8kg	8.0kg
BSS54Z-F3D	463*346*98	640*360*170	6.8kg	8.0kg
BSS64Z-F3D	559*346*98	740*360*170	8.5kg	10.0kg
BSS72Z-F3D	559*346*98	740*360*170	8.5kg	10.0kg

Application Scenes

General lighting for all tunnel, bridge's aperture, culvert, gasoline station, etc.



Zhejiang Boshang Optoelectronic Co.,Ltd.

Add:Hezhuang Industrial Zone,Xiaoshan District,Hangzhou City,Zhejiang Province,China.

