

F3N SERIES LED STREET LIGHT



CE RoHS CB IP65 IK10

Function & Features



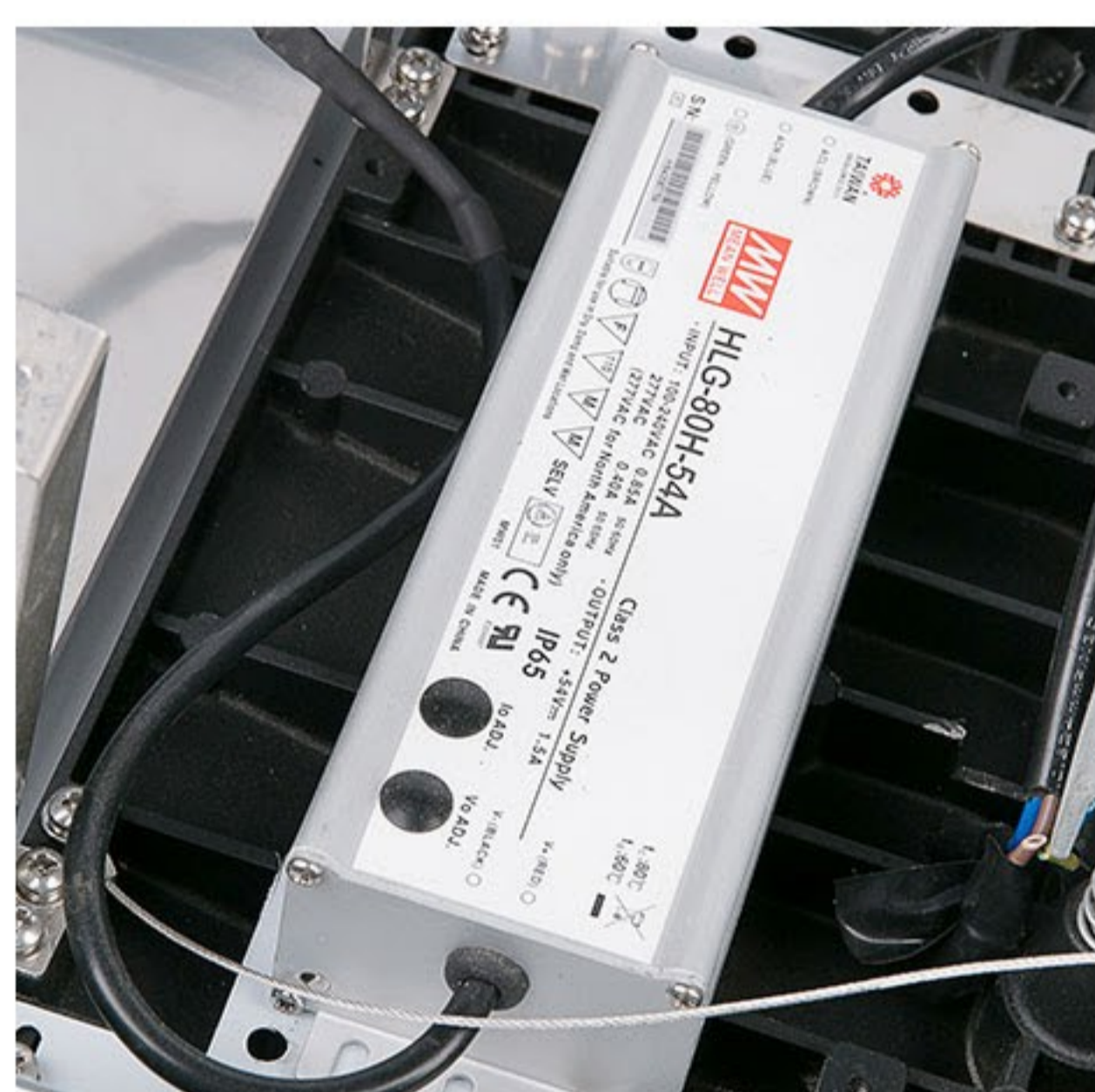
Heat Dissipation

High quality die-casting aluminum housing, optimization design of heat dissipation structure, ensure LED luminous efficiency and lifetime.



Optical Lens

Imported optical lens with high lighting transmittance, anti-UV materials, secondary light dissipation technology.



Branded LED Driver

Can achieve intelligent lighting control and 6KV/10KV surge protection. Providing excellent performance and lifespan.



Modular Design

Lamps adopt modular design, can make 13pcs modules maximum for one lamp.



Spring Bolts

Easy operation and better elasticity, suitable for ϕ 40-60mm pole.



Pole Adaptor



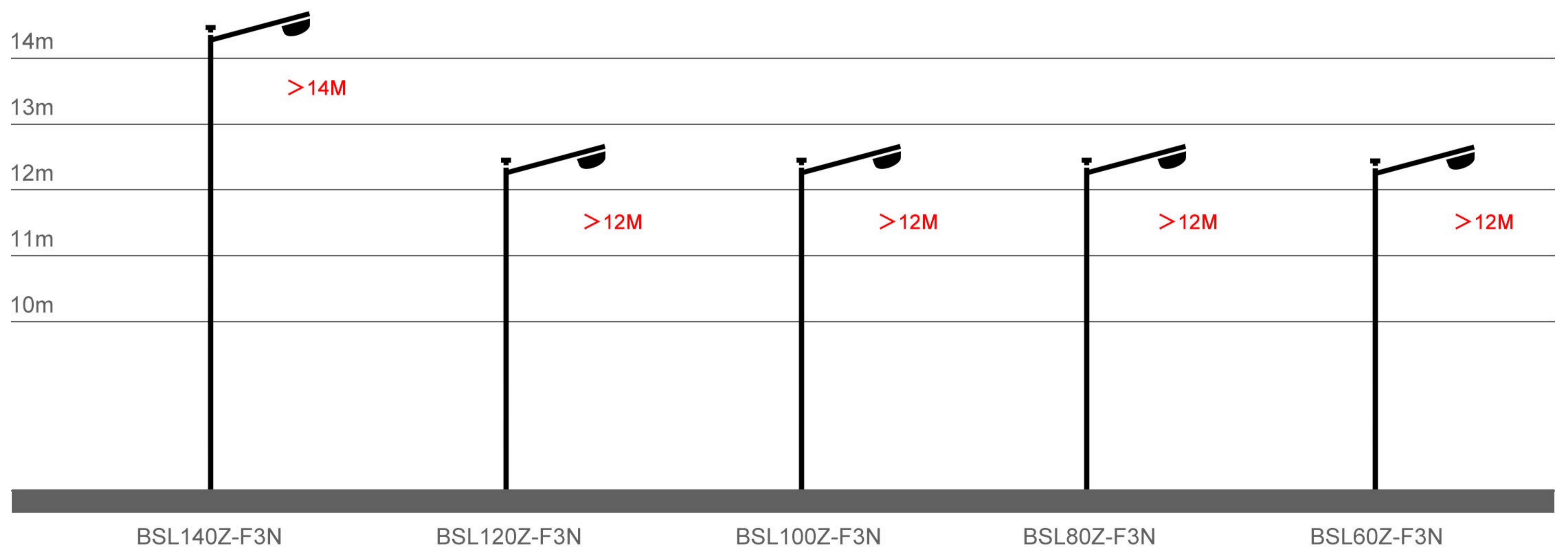
Buckle Design

Lamps covers use buckle design, make the replacement and maintenance more quickly and easily, as well as have simple and beautiful appearances.

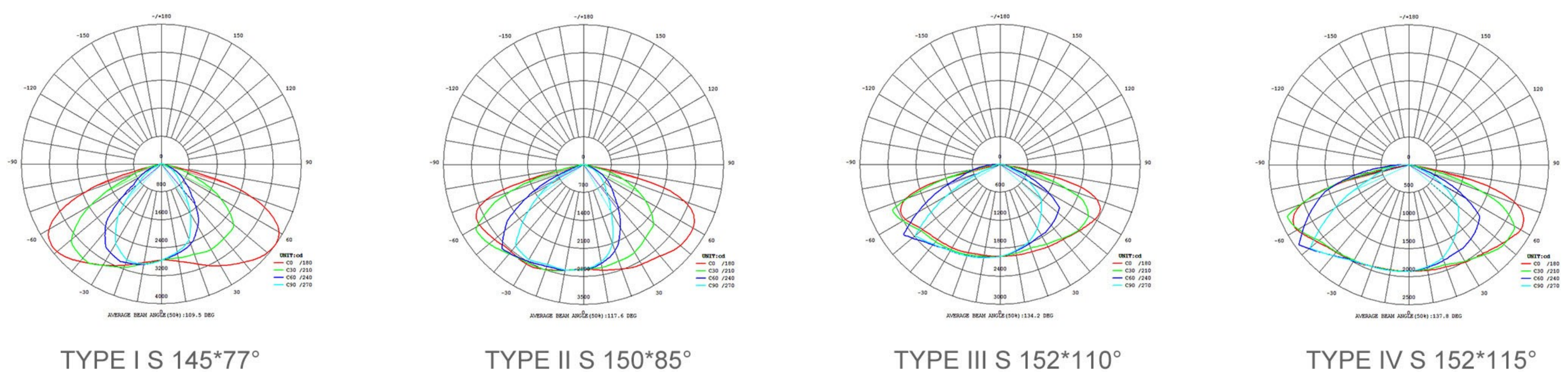
Technical Parameters

Model No.	BSL60Z-F3N	BSL80Z-F3N	BSL100Z-F3N	BSL120Z-F3N	BSL140Z-F3N
Nominal Wattage	180W	240W	300W	360W	420W
Input Voltage	AC100-305V 50/60Hz or DC12/24V (with controller)				
Power Factor (P.F)	>0.95				
T.H.D	<20%				
Luminaire Efficacy	>120lm/W(3030 LEDs) / >150lm/W(5050LEDs)				
C.R.I	75±5				
C.C.T	3000K / 4000K / 5000K / 5700K / 6500K				
Rating	IP65,IK10				
Heat Radiator	Anodized Aluminum				
Pole Mounting Diameter	Suitable for ϕ 40-60mm Pole				
Warranty	5 Years				
	Thermal conductivity of PCB board >2.0				

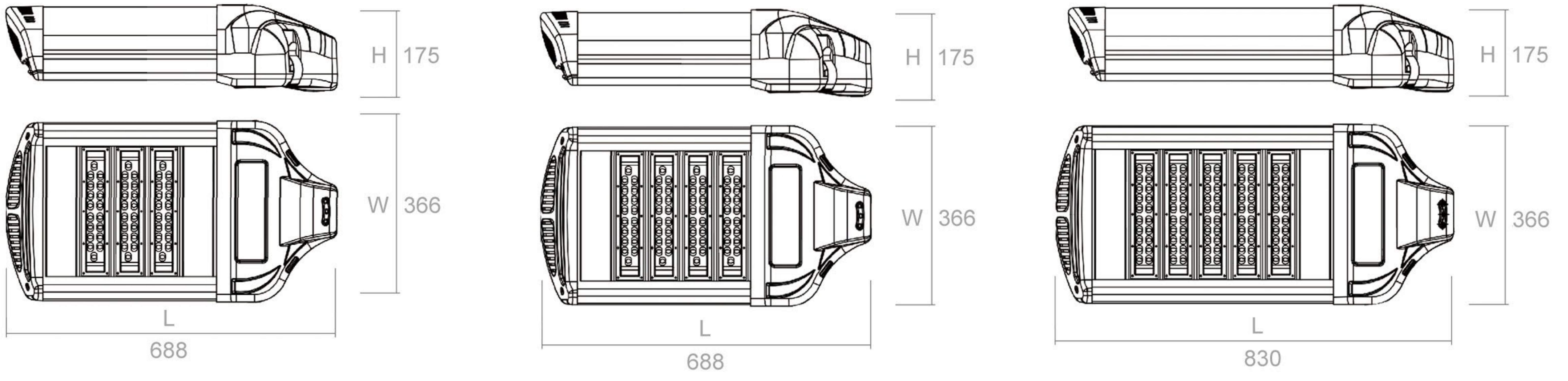
Install Height



Distribution Curve



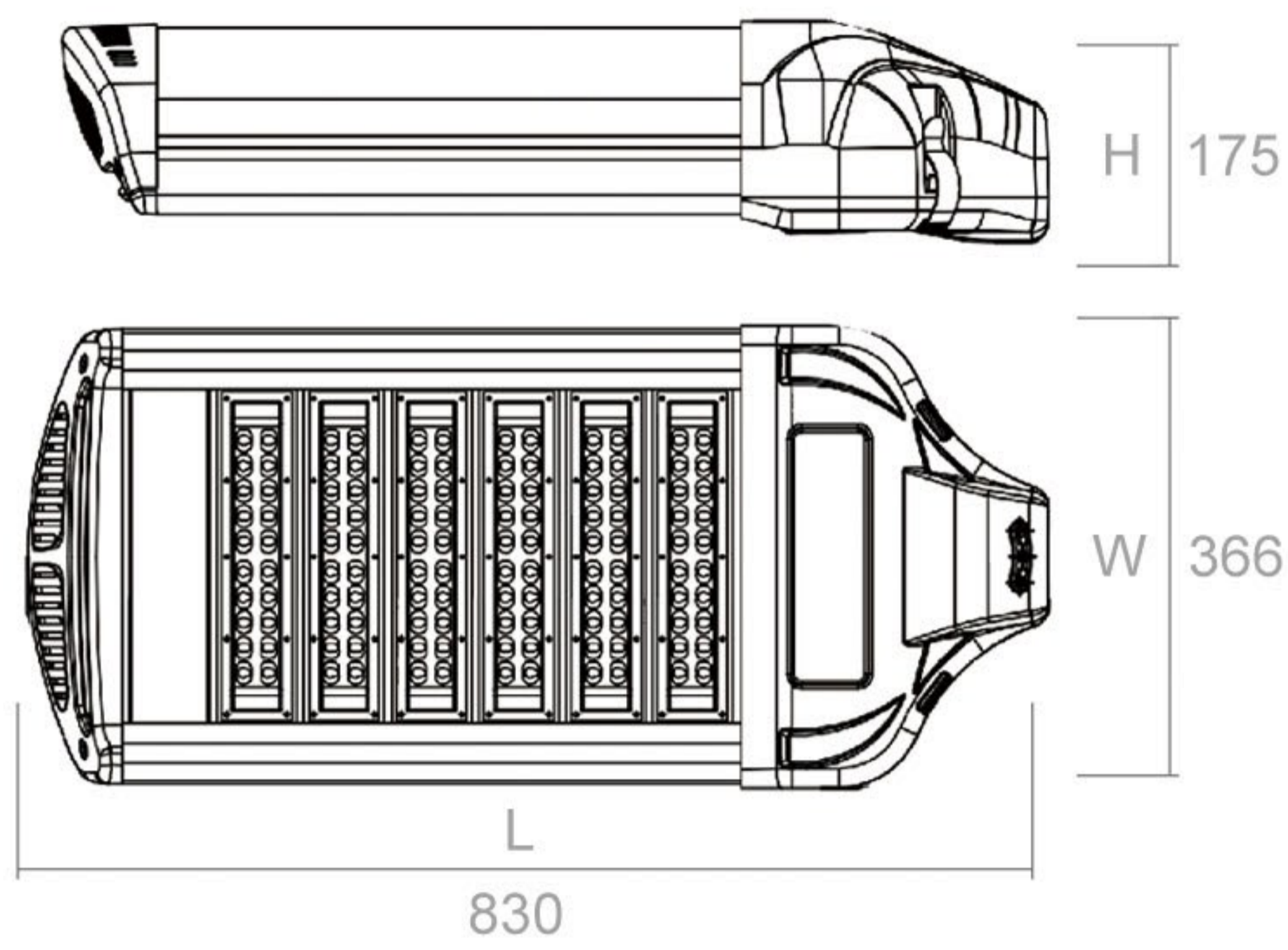
Product Size



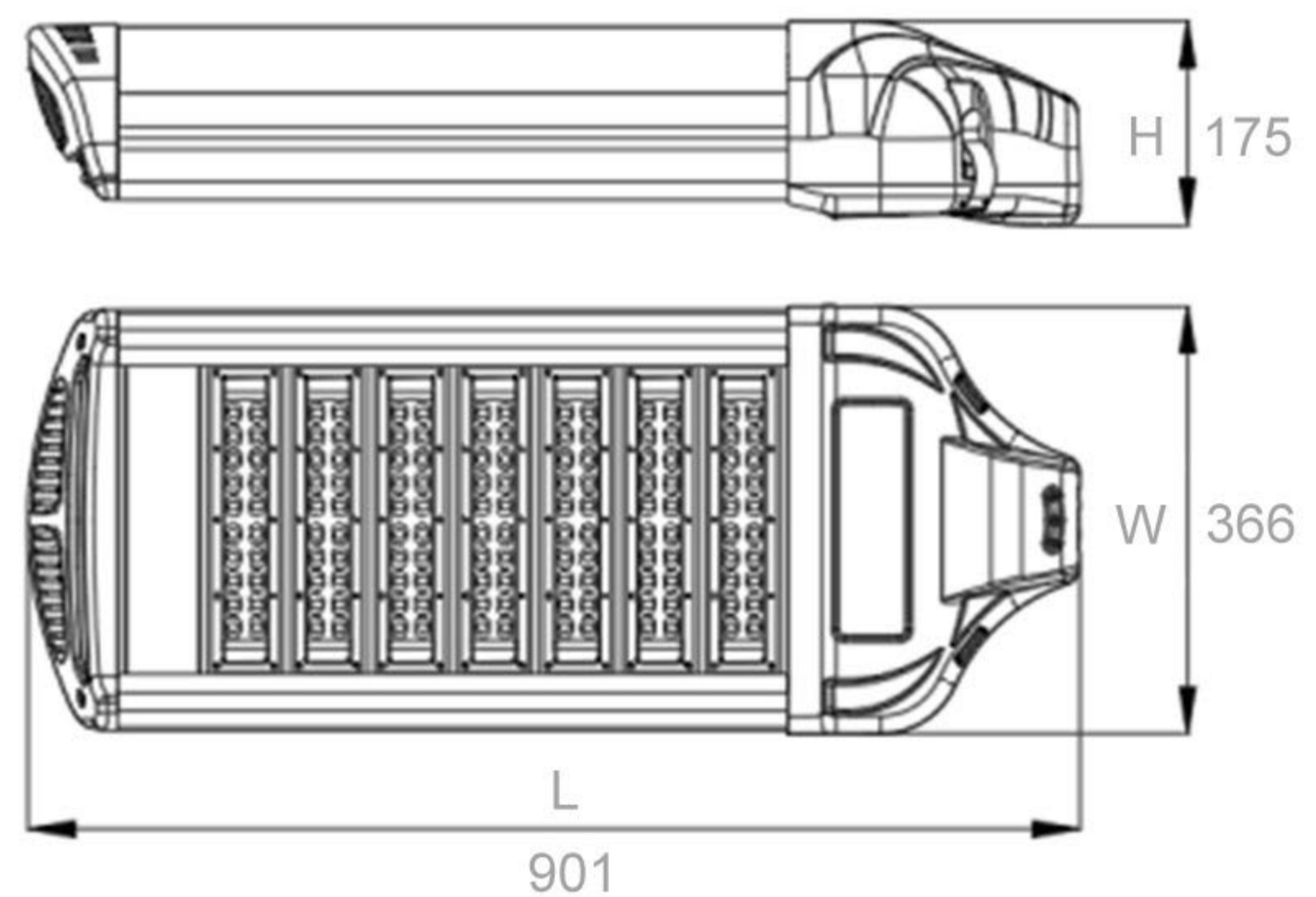
BSL60Z-F3N

BSL80Z-F3N

BSL100Z-F3N



BSL120Z-F3N



BSL140Z-F3N

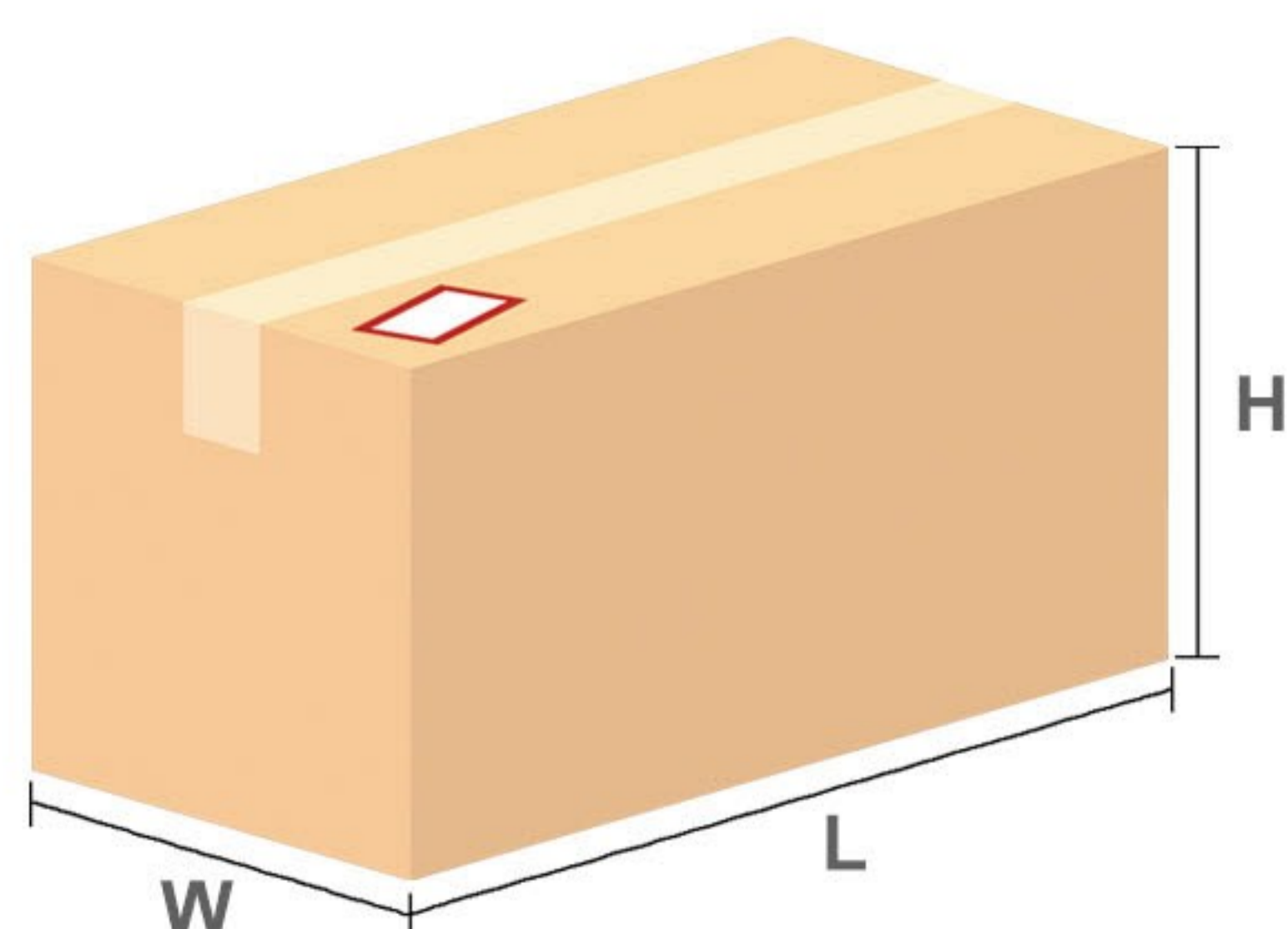
(Unit:mm)

Model	BSL60Z-F3N	BSL80Z-F3N	BSL100Z-F3N	BSL120Z-F3N	BSL140Z-F3N
L	688	688	830	830	901
W	366	366	366	366	366
H	175	175	175	175	175
N.W	9.0 kg	10.0 kg	11.5 kg	12.5 kg	15.0 kg
Modules	3PCS Modules	4PCS Modules	5PCS Modules	6PCS Modules	7PCS Modules

Packing Data

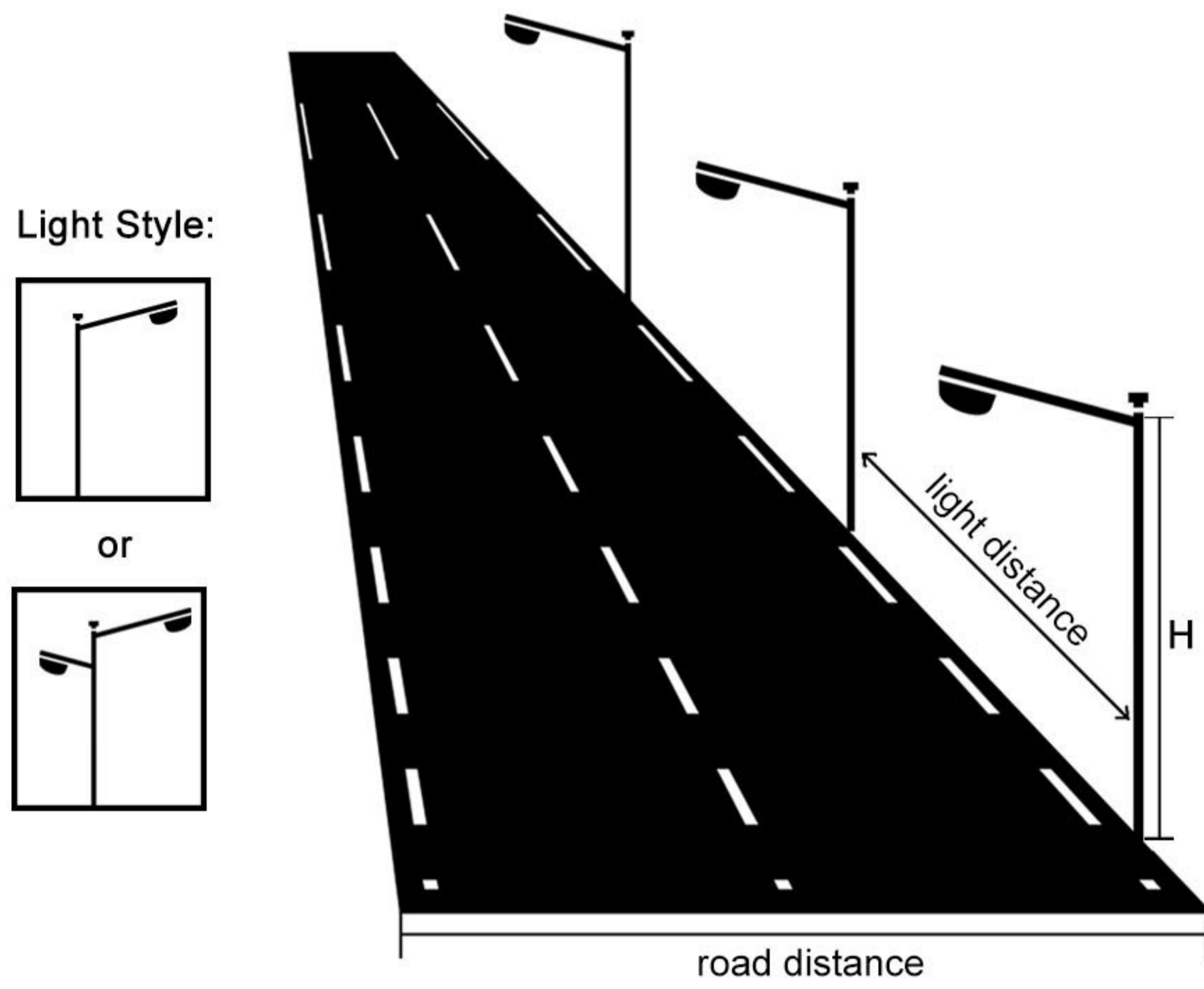
(Unit:mm)

Packing Info.	L730*W410*H220	L730*W410*H220	L870*W410*H220	L870*W410*H220	L940*W410*H220
G.W.	10.5 kg	11.5 kg	13.0 kg	14.0 kg	16.0 kg
CBM	0.066m ³	0.066m ³	0.078m ³	0.078m ³	0.085m ³
Load For 20FT	395 SETS	395 SETS	335 SETS	335 SETS	282 SETS
Load For 40FT	985 SETS	985 SETS	835 SETS	835 SETS	800 SETS

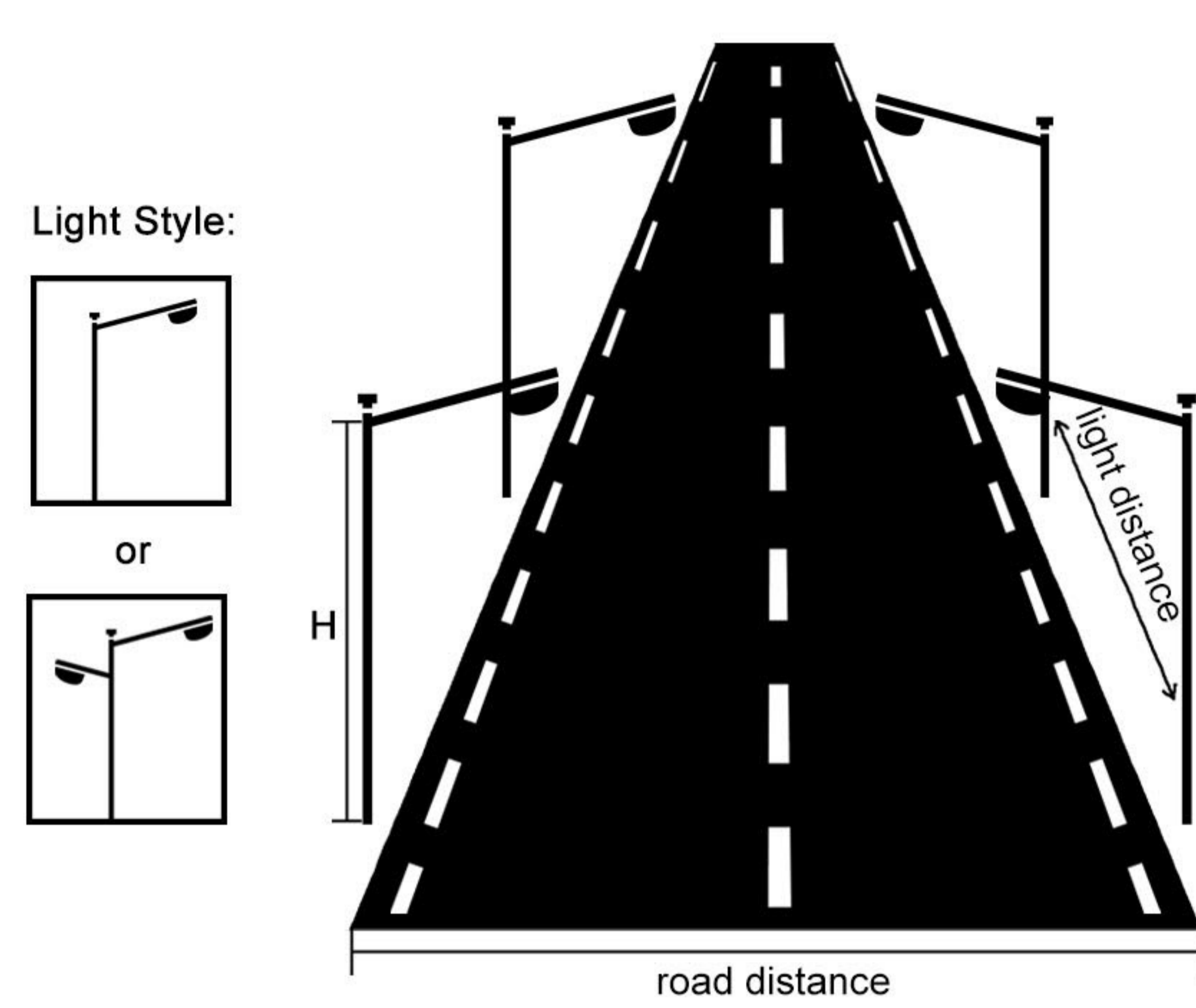


Lamp Distribution Mode

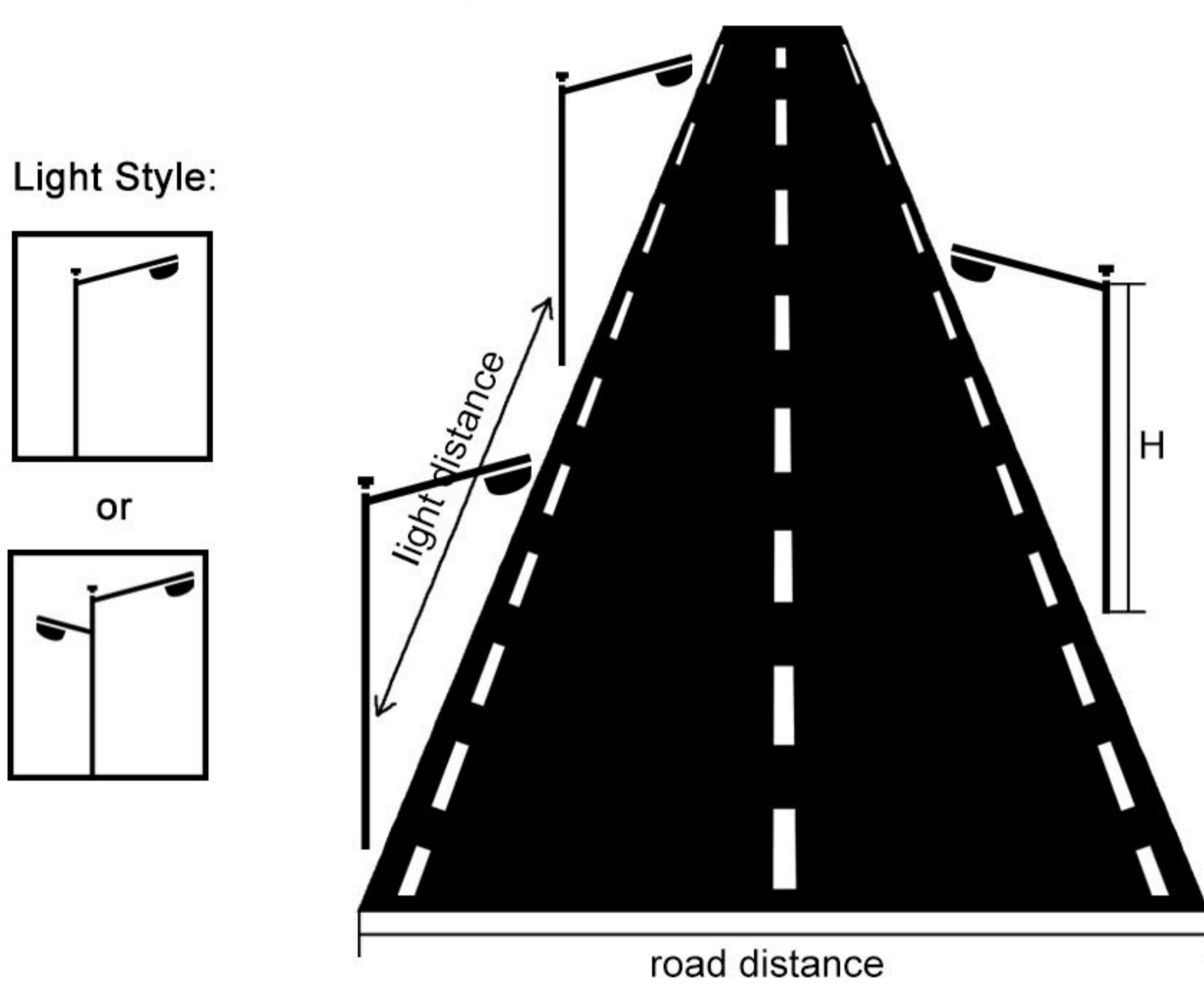
A. Unilateral Mode



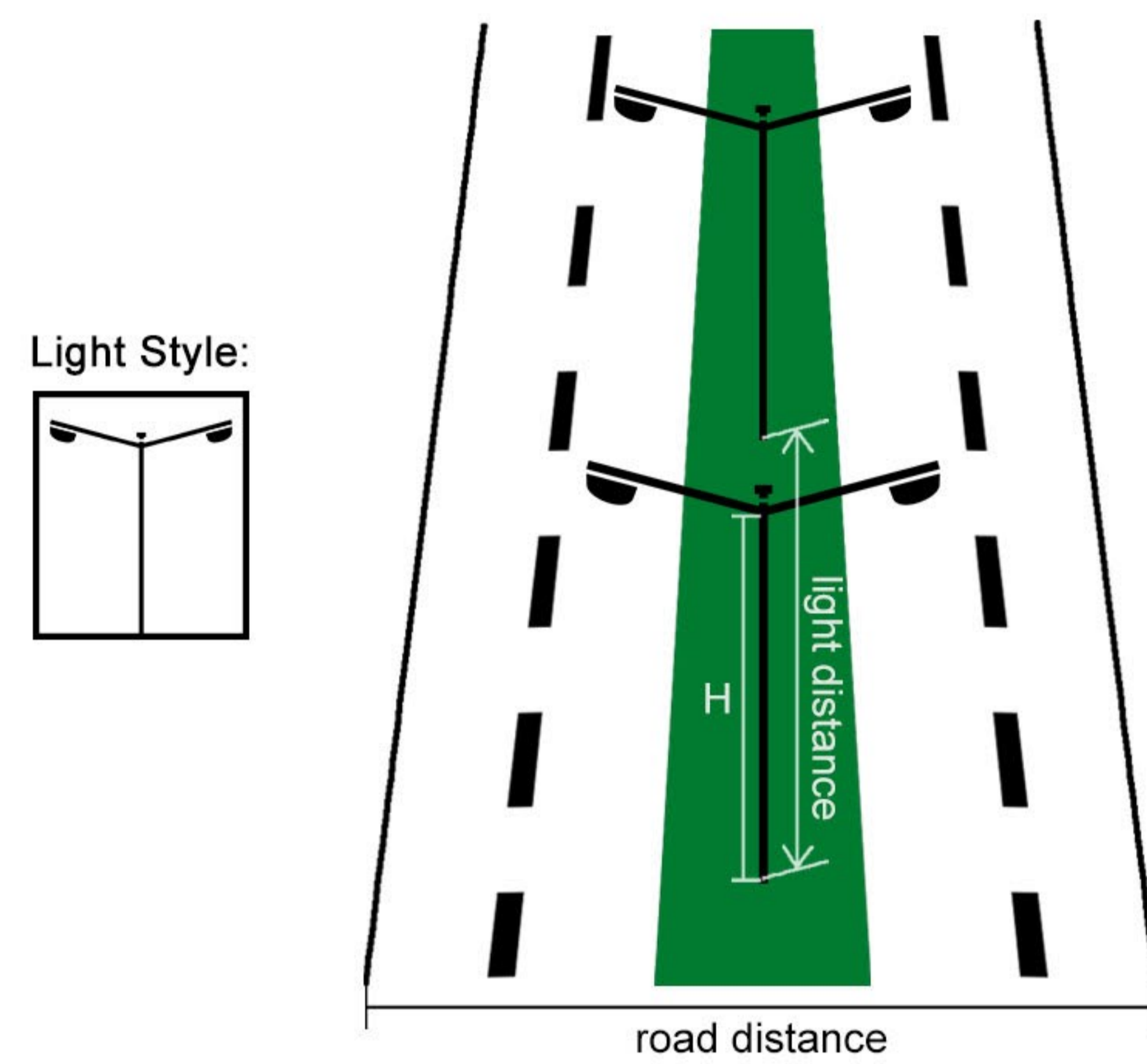
B. Bilateral Mode



C. Bilateral-staggered Mode



D. Central Symmetric Mode



Application Scenes

General lighting for all roadways, avenues, streets etc., area and site lighting for parking lot, playground, sport area etc.



Zhejiang Boshang Optoelectronic Co.,Ltd.

Add:Hezhuang Industrial Zone,Xiaoshan District,Hangzhou City,Zhejiang Province,China.

