

F14B Series LED Street Light

5 YEAR
WARRANTY

MW
MEAN WELL
LED DRIVER

LUMILEDS

TÜV Rheinland
CERTIFIED

SAA
APPROVALS

CE

RoHS

CB

IP66

IK10

Function & Features

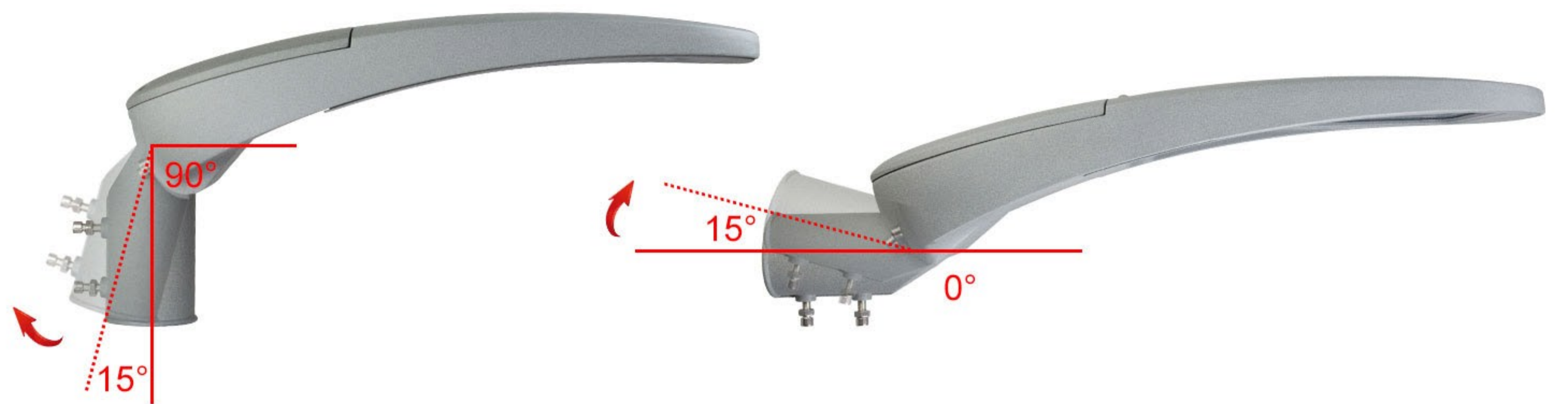
Arc Shape Cooling Guide Design

Resulting in effective heat dissipation and excellent guide dust removal ability



Adjustable Angle Bolt Casing

Adapting different methods of installation requirement



Tempered Glass Cover

Anti-corrosion and self-cleaning ability



Modular Lens

Imported optical lens with high lighting transmittance, anti-UV materials, secondary light dissipation technology



Branded LED Driver

Providing excellent performance and lifespan, and can achieve intelligent lighting control



Function & Features

Power Cavity

IP66-rated rain and dust protection, and page design cover makes lamp easy to install, maintain and replace



Waterproof Rubber Ring

Power-off Protection Socket

Protecting workers' safety when maintenance the lamp

Surge Protector

10KV/20KV external surge protection device, make lamps more safe and reliable



Waterproof Stainless Connector

Page Design

Make it easy in maintenance

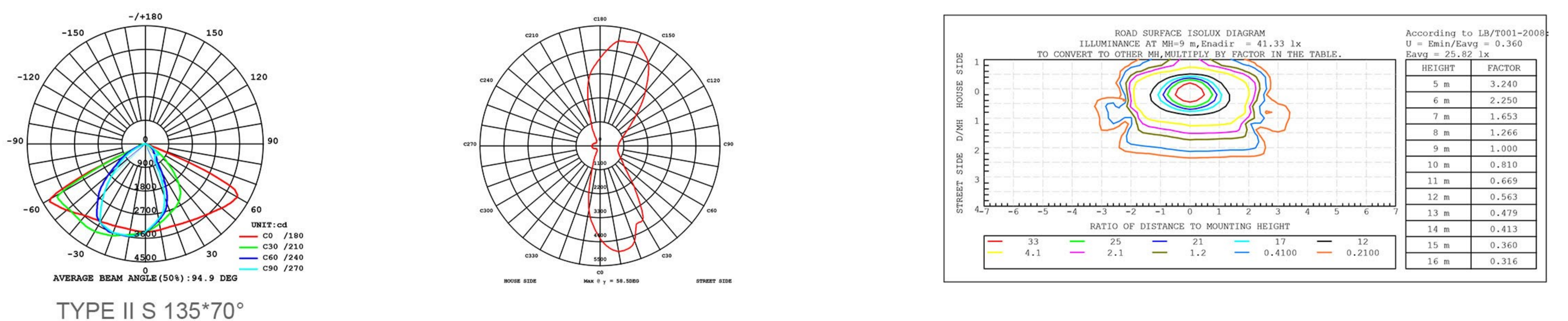


Technical Parameters

Model No.	BSL20Z-F14B	BSL30Z-F14B	BSL40Z-F14B	BSL50Z-F14B	BSL60Z-F14B
Nominal Wattage	20W	30W	40W	50W	60W
Input Voltage	AC100-305V 50/60Hz or DC12/24V (with controller)				
CCT	3000K / 4000K / 5000K / 5700K / 6500K				
CRI	75±5	75±5	75±5	75±5	75±5
PF	>0.95	>0.95	>0.95	>0.95	>0.95
Luminaire Efficacy	>120lm/W(3030 LEDs) / >150lm/W(5050LEDs)				
Rating	IP66, IK10	IP66, IK10	IP66, IK10	IP66, IK10	IP66, IK10
LED brand	Lumileds	Lumileds	Lumileds	Lumileds	Lumileds

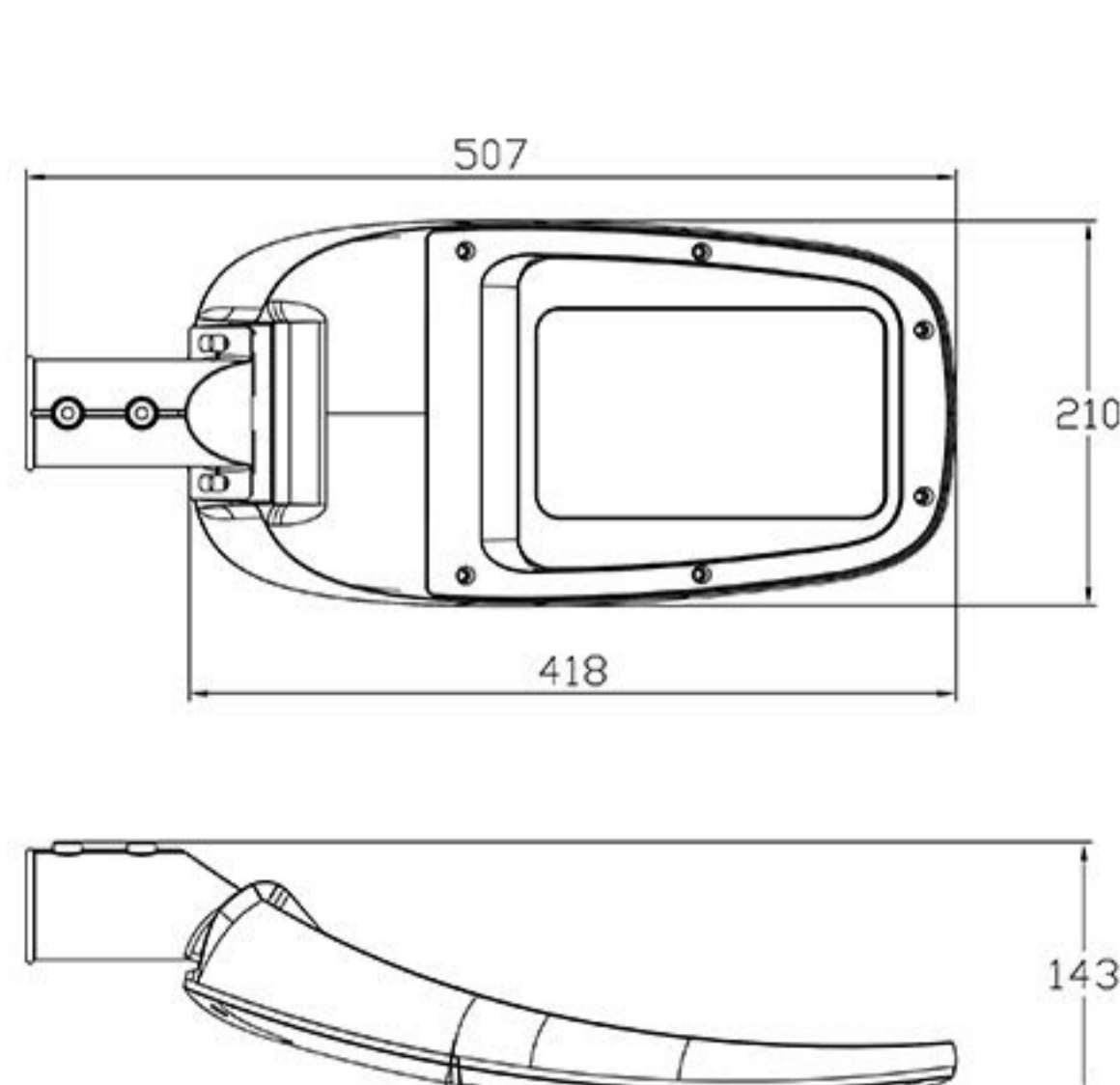
Model No.	BSL80Z-F14B	BSL100Z-F14B	BSL120Z-F14B	BSL150Z-F14B	BSL200Z-F14B
Nominal Wattage	80W	100W	120W	150W	200W
Input Voltage	AC100-305V 50/60Hz or DC12/24V (with controller)				
CCT	3000K / 4000K / 5000K / 5700K / 6500K				
CRI	75±5	75±5	75±5	75±5	75±5
PF	>0.95	>0.95	>0.95	>0.95	>0.95
Luminaire Efficacy	>120lm/W(3030 LEDs) / >150lm/W(5050LEDs)				
Rating	IP66, IK10	IP66, IK10	IP66, IK10	IP66, IK10	IP66, IK10
LED brand	Lumileds	Lumileds	Lumileds	Lumileds	Lumileds

Distribution Curve

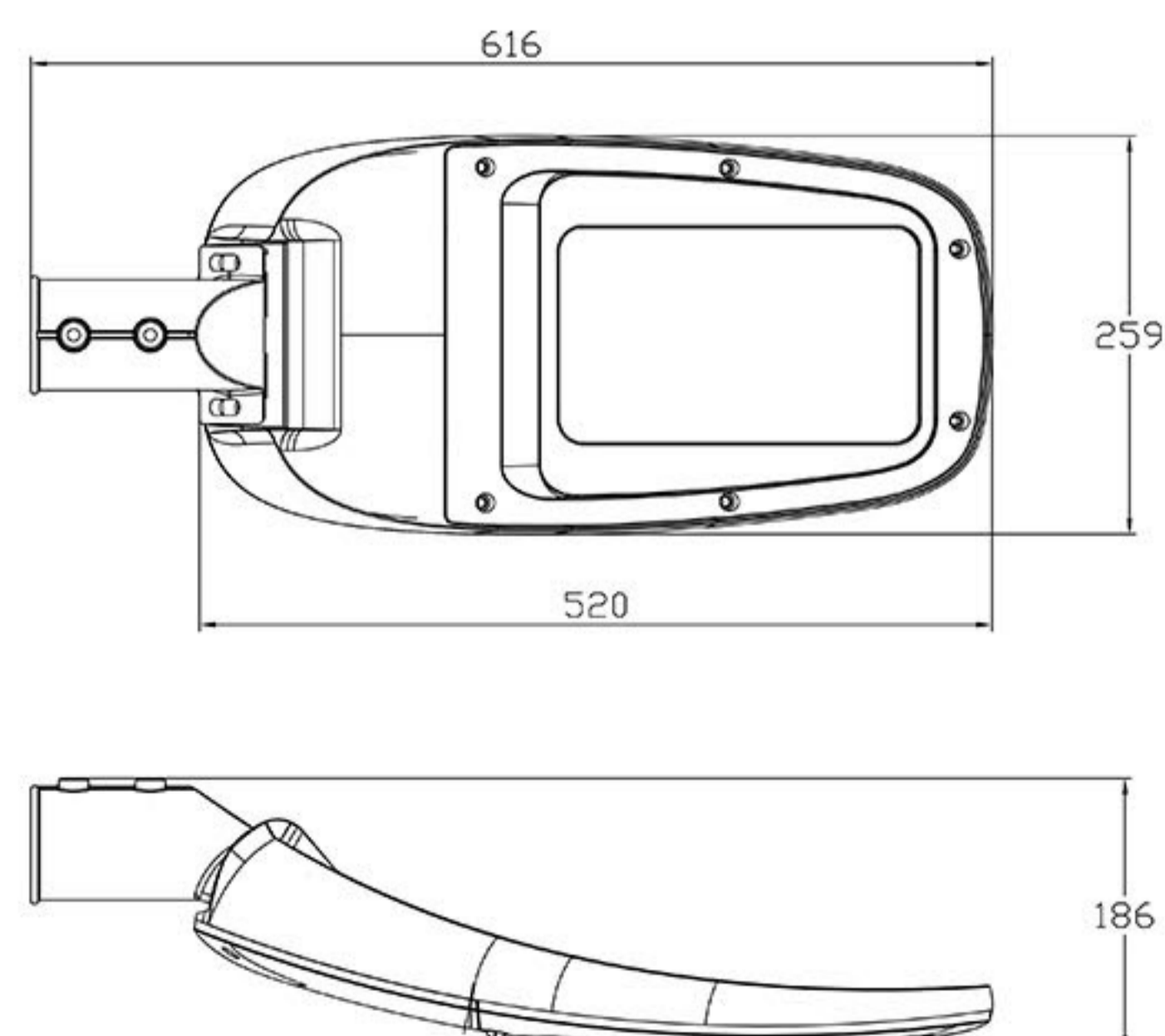


Product Size

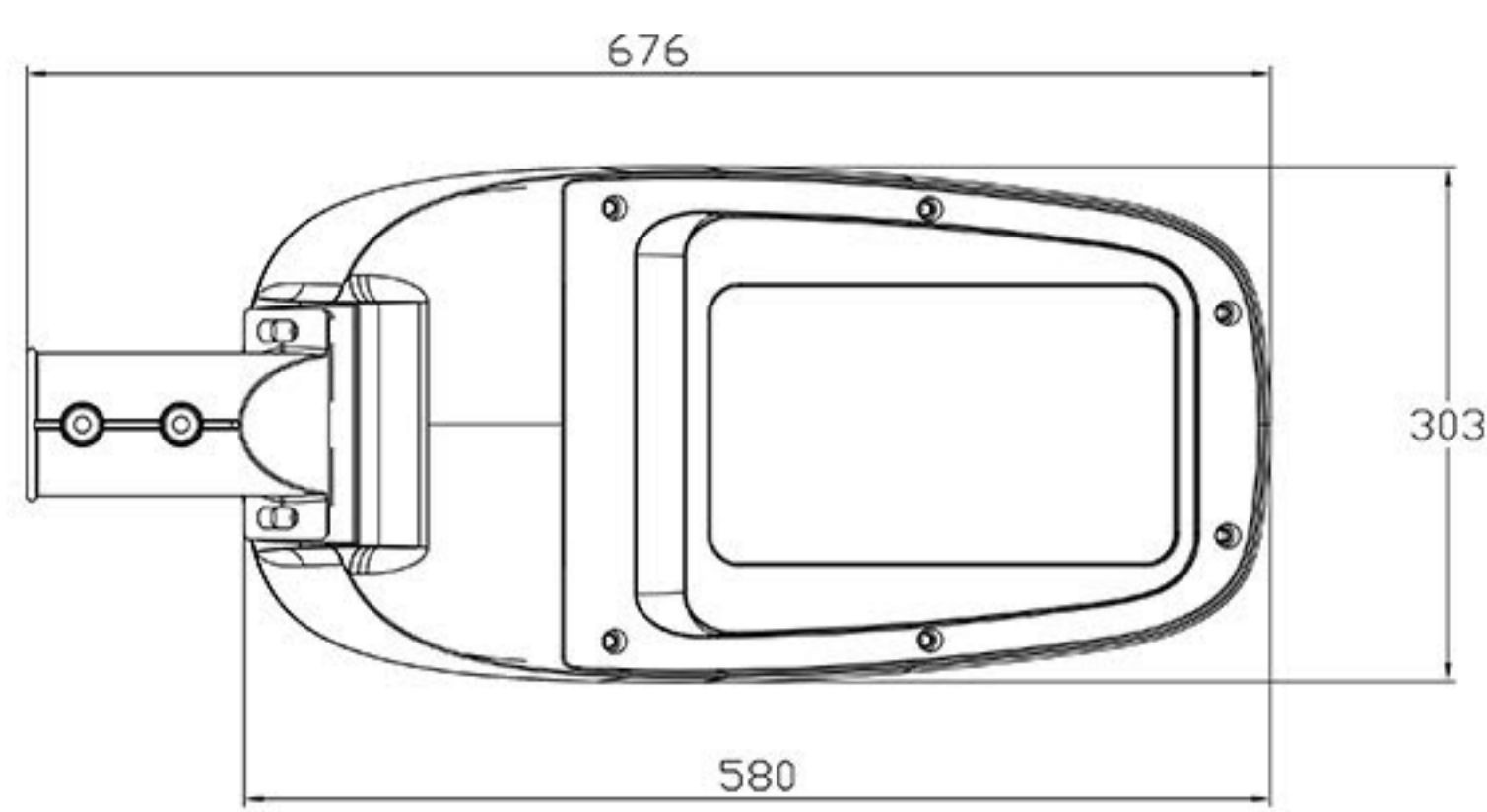
(Unit:mm)



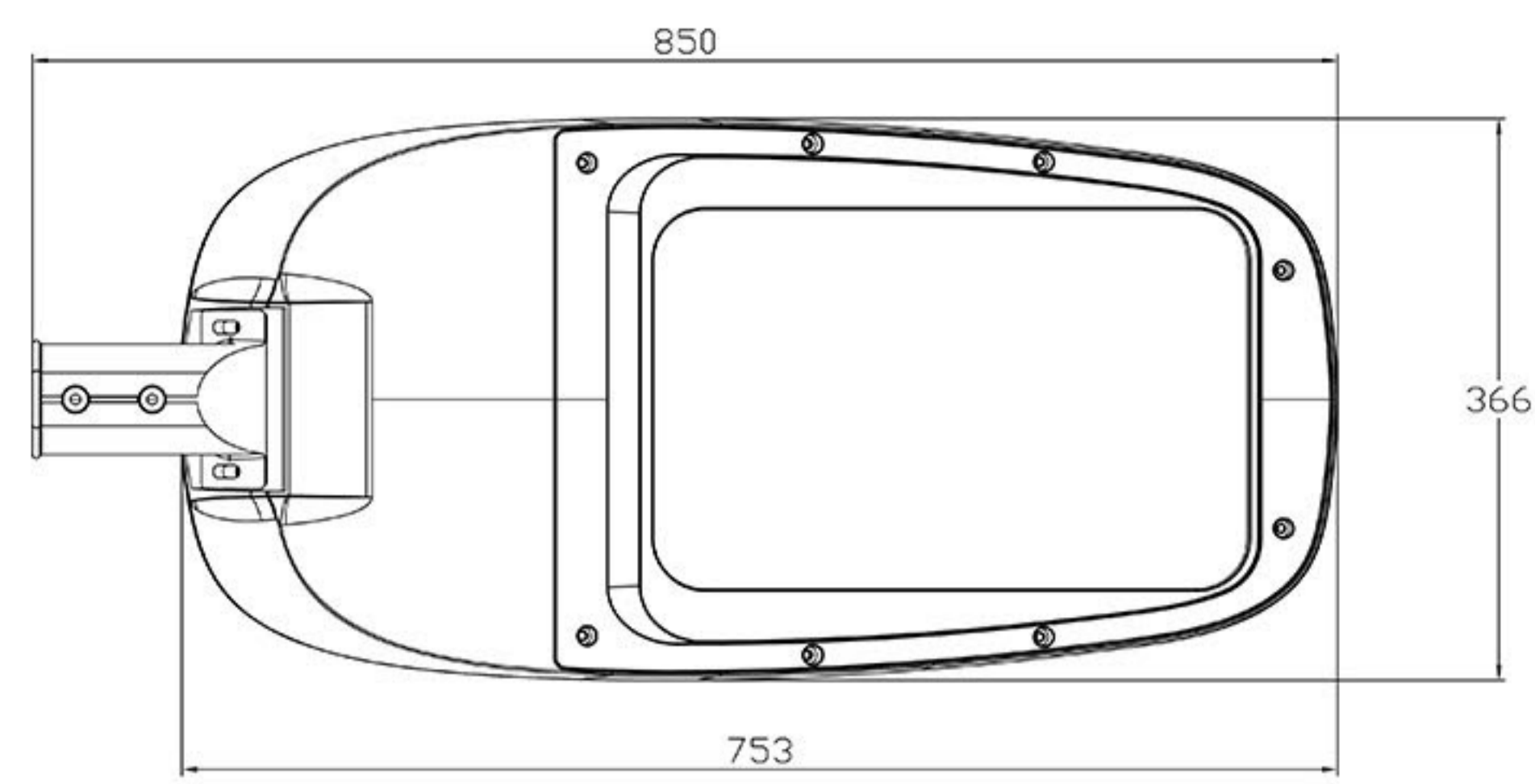
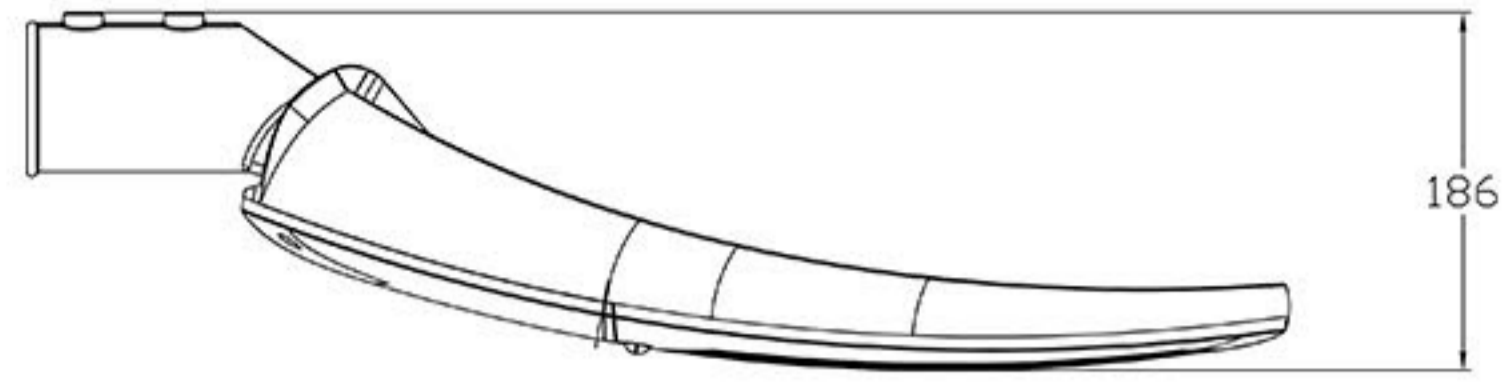
BSL20Z-F14B
 BSL30Z-F14B
 BSL40Z-F14B
 BSL50Z-F14B



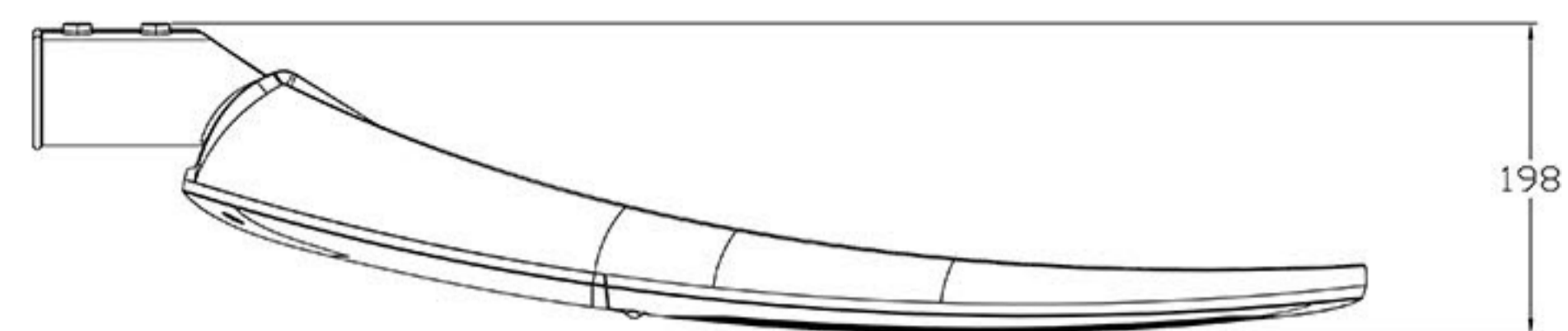
BSL60Z-F14B
 BSL80Z-F14B



BSL100Z-F14B
BSL120Z-F14B



BSL150Z-F14B
BSL200Z-F14B



MODEL	Lamp Size	Packing Size	N.W.	G.W.
BSL20Z-F14B	507*210*143mm	550*240*255mm	3.5kg	4.5kg
BSL30Z-F14B	507*210*143mm	550*240*255mm	3.5kg	4.5kg
BSL40Z-F14B	507*210*143mm	550*240*255mm	3.5kg	4.5kg
BSL50Z-F14B	507*210*143mm	550*240*255mm	3.5kg	4.5kg
BSL60Z-F14B	616*259*186mm	680*295*150mm	5.5kg	6.5kg
BSL80Z-F14B	616*259*186mm	680*295*150mm	5.5kg	6.5kg
BSL100Z-F14B	676*303*186mm	750*355*165mm	7.0kg	8.0kg
BSL120Z-F14B	676*303*186mm	750*355*165mm	7.0kg	8.0kg
BSL150Z-F14B	850*366*198mm	915*415*185mm	12.0kg	13.0kg
BSL200Z-F14B	850*366*198mm	915*415*185mm	12.0kg	13.0kg



Application Scenes

General lighting for all roadways, avenues, streets etc., area and site lighting for parking lot, playground, sport area etc. Available to replace traditional MH or HPS luminaires up to 250W.



Zhejiang Boshang Optoelectronic Co.,Ltd.

Add:Hezhuang Industrial Zone, Xiaoshan District, Hangzhou City, Zhejiang Province, China.

